



Column (Leg)

KDZT065

DATA SHEET

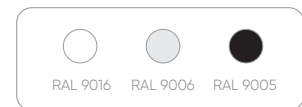
Kaidi Electrical, Inc.

KDZT065

Height Adjustable Table

Product Presentation

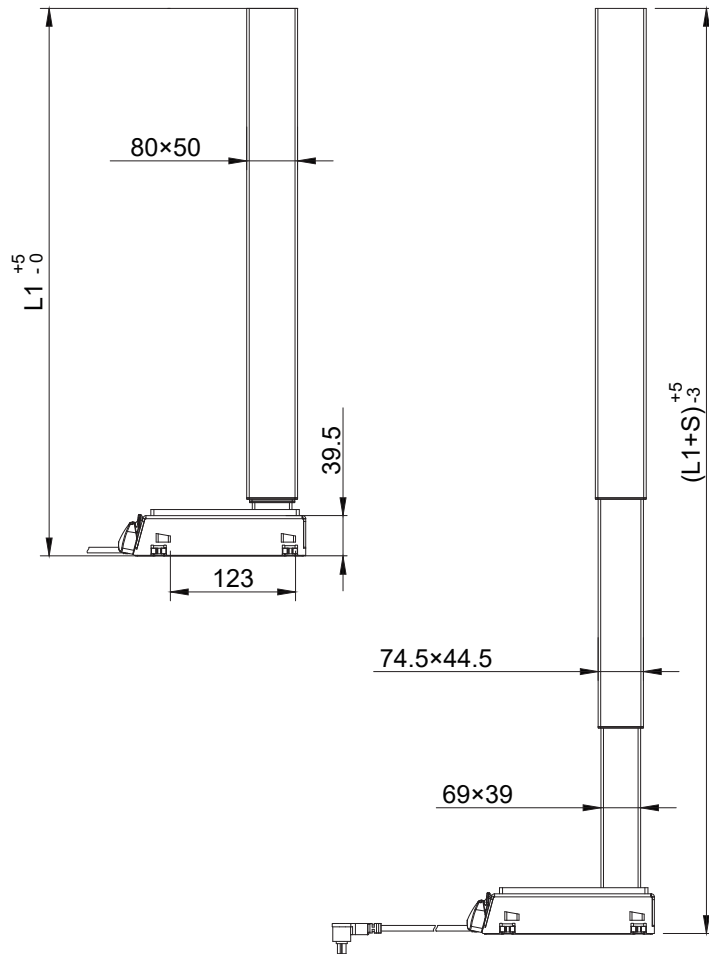
- Column model KDZT065, is a three-part lifting column
- Be used with quick installation frame:
KDTJ068/KDTJ077 series frame for 2x columns
KDTJ070 series frame for 3x columns
- Applicable to control box KDBC39 (220-240V) & KDBC40 (100-120V) that have 2x column interfaces
- Applicable to control box KDBC49 (220-240V) & KDBC50 (100-120V) that have 3x column interfaces
- Minimum height: L1 = 536 mm (BIFMA X5.5)
Stroke length: S= 663 mm (BIFMA X5.5)
- Minimum height: L1 = 580 mm (EN527)
Stroke length: S= 650 mm (EN527)
- Silent and running smoothly
- Compatible with quick installation feet (Optional)
- Built in PZT Sensor(Piezoelectric ceramics) (Optional)



Performance Parameter

Max Load	800N
Rated Load	600N
Self Lock	800N
No load Speed	36 mm/s
Dimensions Leg	80×50 mm (outer profile) 74.5×44.5 mm (middle profile) 69×39 mm (inner profile)
Colour (all metal parts)	Black, gray or white
Gross Weight	6.5 Kg per column

Dimension Drawings



Feet Version



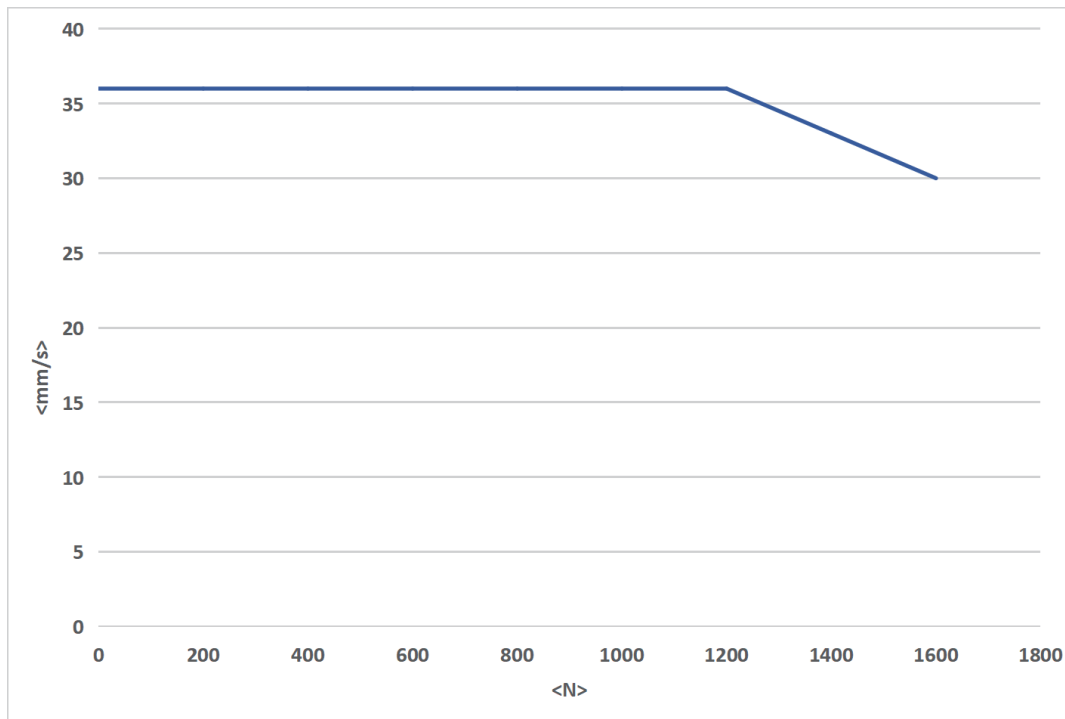
Standard installation



Quick installation

Performance Curve

Two columns with KDBC39/KDBC40 350W



*The curves above apply to a centrally placed load. With moment load, there will be increased friction in the columns, which will reduce the lifting force correspondingly.

Terms of use

KAIDI takes great care in providing accurate and up-to-date information on its products. However, the user is responsible for determining the suitability of KAIDI products for a specific application. Due to continual development, KAIDI products are subject to frequent modifications and changes. KAIDI reserves the rights to conduct modifications, updates, and changes without any prior notice. For the same reason, KAIDI cannot guarantee the correctness and actual status of imprinted information on its products.