



## SPECIFICATION SHEET

# COLUMN - KDZT066

### KAIDI LIFTING COLUMNS TO ELEVATE YOUR BUSINESS

Reliable KAIDI linear actuator motors blend performance and adaptability to your range of height-adjustable solutions. With its robust construction and precise linear actuating technology, it ensures not only smooth and near-silent height adjustments but also a dependable user experience.

- Slim Rectangle Profile, Single Stage Column
- Low Noise (<50dB)
- Very Low Standby Power Consumption
- No Side Holes on Tubes

### FEATURING

**ALL-NEW  
V4 QUICK INSTALL**

**ANTI-COLLISION  
TECHNOLOGY**

**HIGH STABILITY**

## KDZT066 PERFORMANCE SPECIFICATIONS

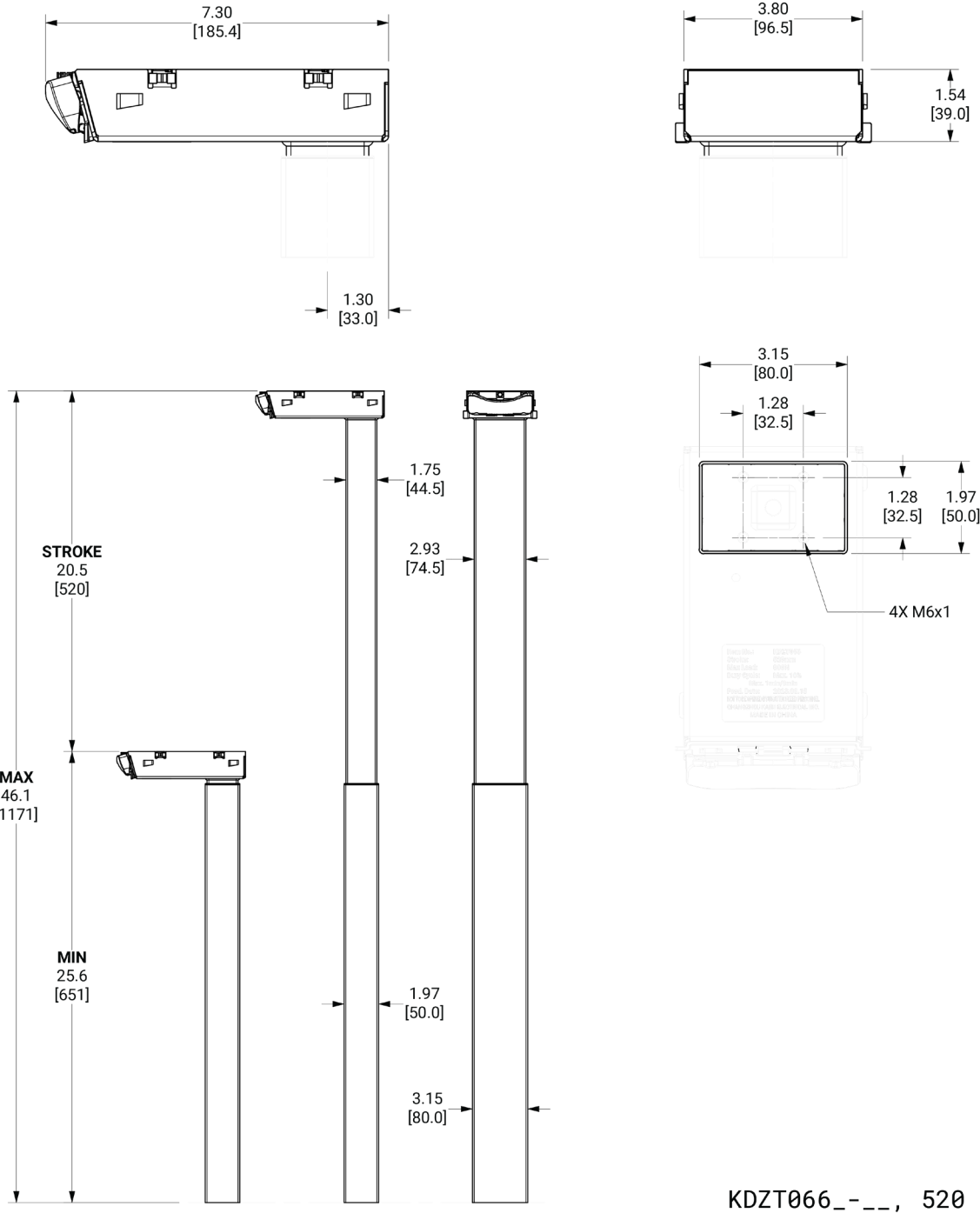
SINGLE-COLUMN PERFORMANCE	
Relative Humidity	Ambient Temperature
20%-80%	41°-104°F / 5°-40°C
<b>KDBC40 Control Box</b>	
Max Dynamic	80 lb. / 176.5 kg
Max Static	80 lb. / 176.5 kg
Rated	57 lb. / 126.0 kg

Material	SPCC Steel
Input Voltage	20VDC
Duty Cycle	10%, MAX. 2 Minute ON/18 Minutes OFF
Noise Level	48 dB
Protection Grade	IP20
UL Certification	-n/a-
Control Box	KDBC40
Assembly Style	V4 Quick Install

\*Refer to Service Life Definitions document, provided at your request.

## DIMENSION SPECIFICATIONS

Stroke	20.4 in	520 mm	Speed (No Load)	1.42 in/sec	36 mm/sec
Min. Height	25.6 in	650 mm	Column Profile	1.97x3.15 in	50x80 mm
Max. Height	46 in	1170 mm	Product Weight	-n/a- lb.	-n/a- kg



KDZT066\_---, 520