



SPECIFICATION SHEET

COLUMN - KDZT066



KAIDI LIFTING COLUMNS TO ELEVATE YOUR BUSINESS

Reliable KAIDI linear actuator motors blend performance and adaptability to your range of height-adjustable solutions. With its robust construction and precise linear actuating technology, it ensures not only smooth and near-silent height adjustments but also a dependable user experience.

- Slim Rectangle Profile, Single Stage Column
- Low Noise (<50dB)
- Very Low Standby Power Consumption
- No Side Holes on Tubes
- Compatible with KDBC39 (220-240V) & KDBC40 (100-120V) that have 2x column interfaces
- Compatible with KDBC49 (220-240V) & KDBC50 (100-120V) that have 3x column interfaces

FEATURING

**ALL-NEW
V4 QUICK INSTALL**

**ANTI-COLLISION
TECHNOLOGY**

HIGH STABILITY

KDZT066 PERFORMANCE SPECIFICATIONS

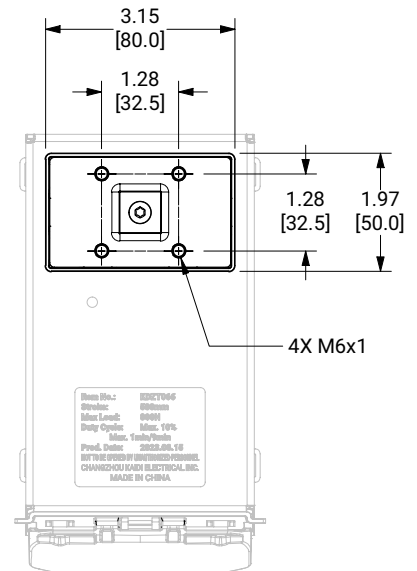
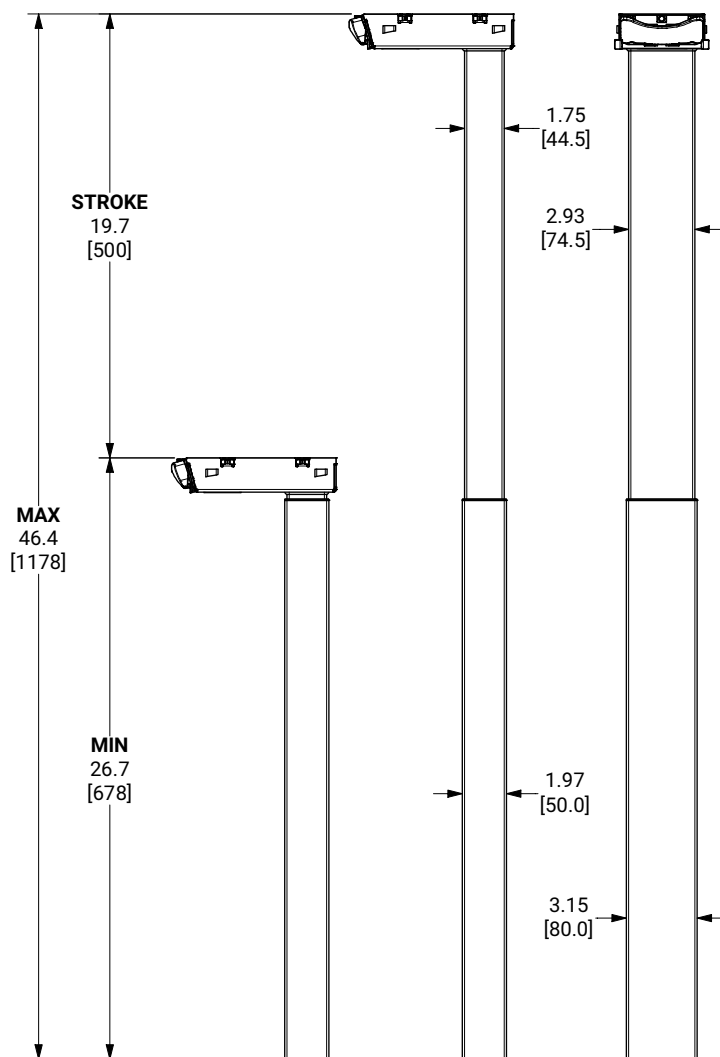
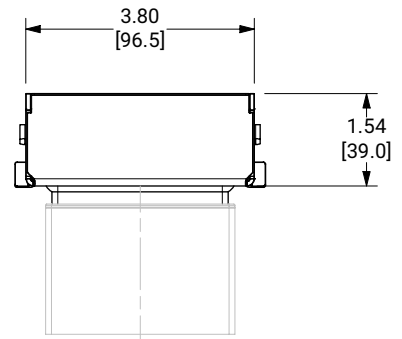
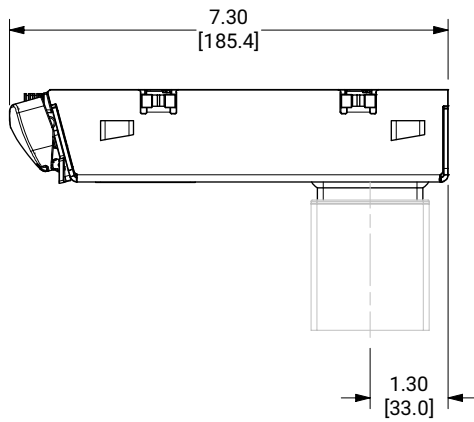
SINGLE-COLUMN PERFORMANCE	
Relative Humidity 20%-80%	Ambient Temperature 41°-104°F / 5°-40°C
KDBC40 Control Box	
Max Dynamic	180 lb. / 81.5 kg
Max Static	180 lb. / 81.5 kg
Rated	134 lb. / 61.2 kg

Material	SPCC Steel
Input Voltage	20VDC
Duty Cycle	10%, MAX. 2 Minute ON/18 Minutes OFF
Noise Level	48 dB
Protection Grade	IP20
UL Certification	-n/a-
Control Box	KDBC40
Assembly Style	V4 Quick Install

*Refer to Service Life Definitions document, provided at your request.

DIMENSION SPECIFICATIONS

Stroke	19.7 in	500 mm	Speed (No Load)	1.42 in/sec	36 mm/sec
Min. Height	27.7 in	678 mm	Column Profile	1.97x3.15 in	50x80 mm
Max. Height	46.3 in	1178 mm	Product Weight	11.2 lb.	5.1 kg



KDZT066_--_, 500