

FEATURES:

- Economy model with a single motor for height adjustment
- Lightweight construction
- Energy-efficient operation
- Reduced weight for easier transportation and installation
- Easy, tool-less adjustment of base frame

FEATURING KBC15 HANDSET

All-In-One
Control Box & Handset

Personalized
Memory Positions

Digital Readout

Optional, External Gyro
Anti-Collision

TECHNICAL SPECS

Speed

0.98ⁱⁿ/_{sec} / 25^{mm}/_{sec}

Max Dynamic Load

Max Lift

190lb / 86kg

Max Static Load

Max Locking Force

190lb / 86kg

Rated Load

Rated at 10,000 cycles

132lb / 60kg

Operational Noise

<50dB

Stroke Distance

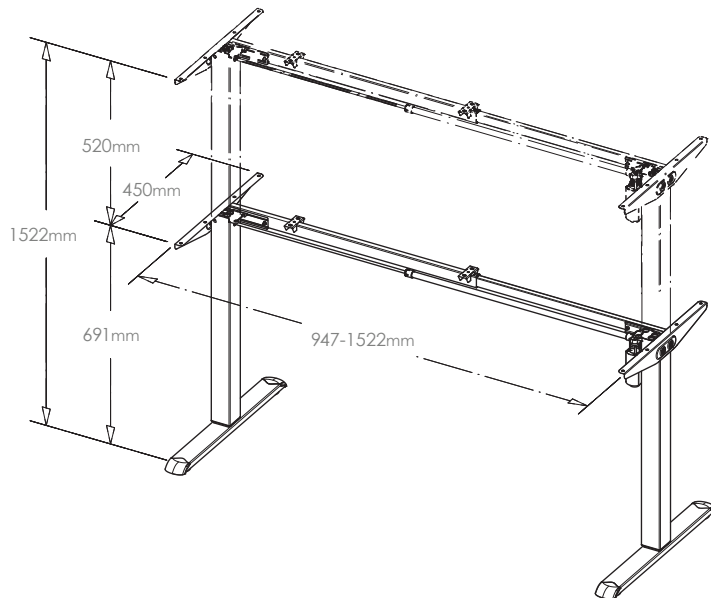
19.7in / 500mm

Height Range

Feet + Column + Frame. Without Top

26.0–45.7in / 662–1162mm

SINGLE STAGE



LIFTING COLUMNS

Profile Square, Outer Tube
Dimensions 2.72in×2.72in / 69mm×69mm

FOOT CONFIGURATION

Configuration Centered
Dimensions 23.1in × 2.4in × 1.1in
586mm × 60mm × 28mm

FRAME

Expandable Up To 37.4–57in / 950–1450mm
Rcmd. Desktop Size 37.4–69.5in / 952.5–1765.3mm

FINISHES

Black, Silver, White

1-BOX SHIPPING

Package Dimensions 34.2in × 9.4in × 5.1in
870mm × 240mm × 130mm

Package Weight **SINGLE STAGE** 37.5lbs / 17 kg