

## SPECIFICATION SHEET

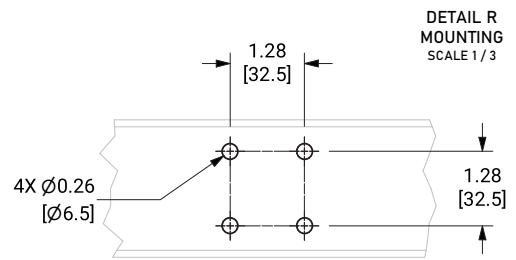
# FEET - KDF035 SERIES

### A STRONG FOUNDATION

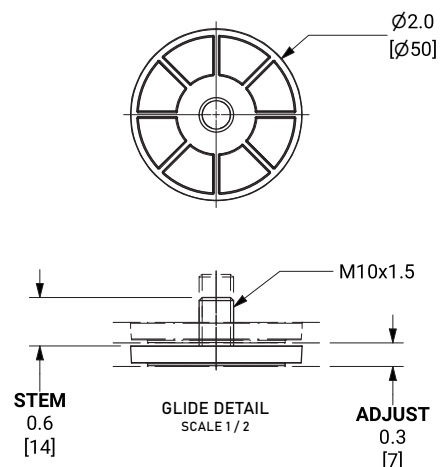
KAIDI engineers carefully design the feet based on ergonomics and mechanics considerations. In order to ensure the overall load-bearing capacity and stability of the whole structure, size and weight ratio of the foot, frame and legs are strictly measured so that shaking risk is eliminated.

- For Single-Column Podium
- External Mount
- Compatible with All Columns
- Adjustable Floor Levelers for Leveling
- Adaptable for Casters and other Floor Leveler Styles

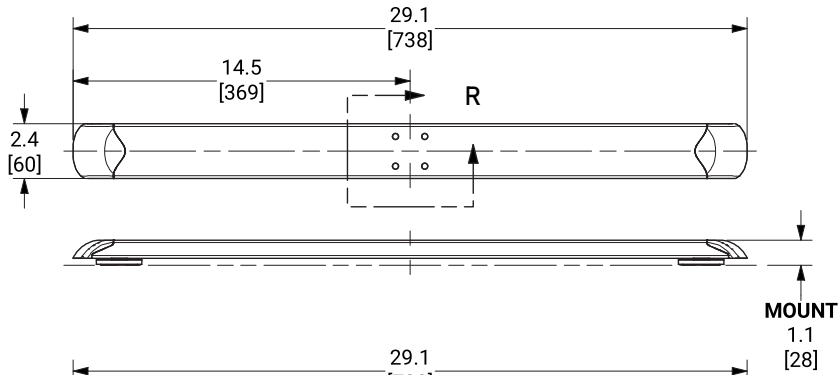
#### For Single-Column Podium



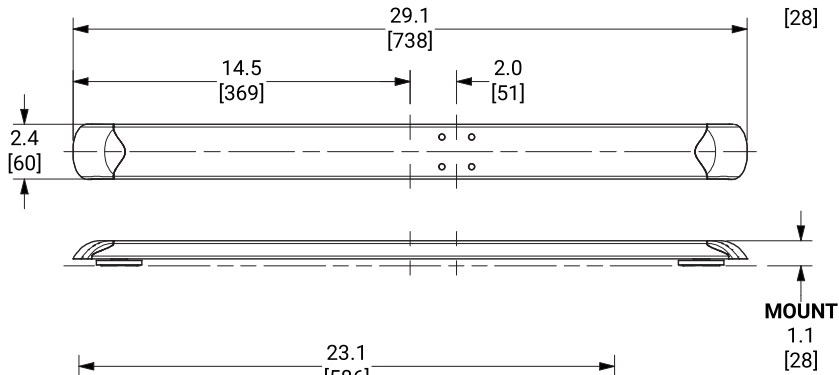
#### Floor Leveler Detail



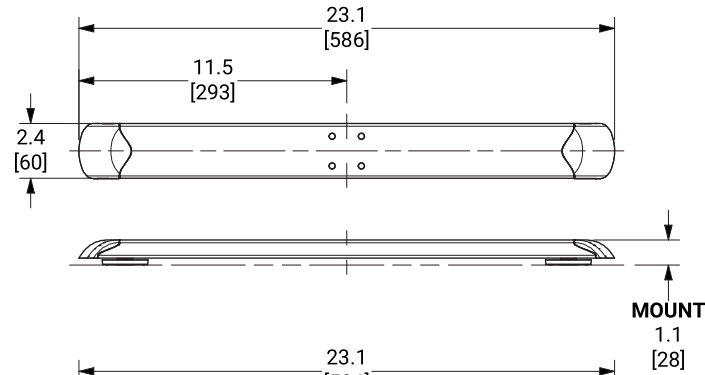
KDF035-4



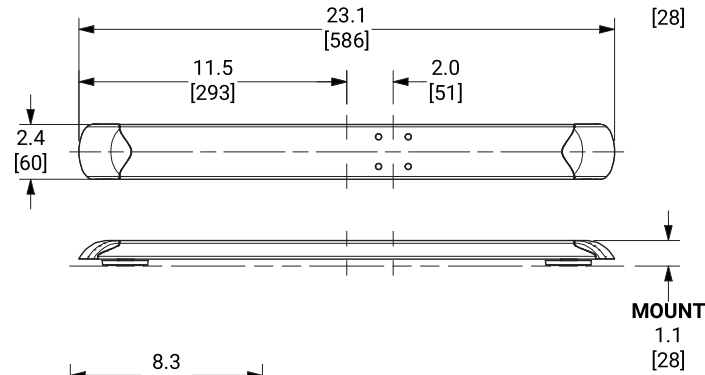
KDF035-5



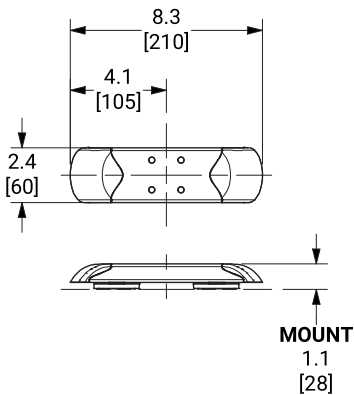
KDF035-1



KDF035-3



KDF035-2



**Product Weight**

KDF035-4	3.6 lbs / 1.6 kg
KDF035-5	3.6 lbs / 1.6 kg
KDF035-1	2.8 lbs / 1.3 kg
KDF035-3	2.8 lbs / 1.3 kg
KDF035-2	0.9 lbs / 0.4 kg