

## SPECIFICATION SHEET

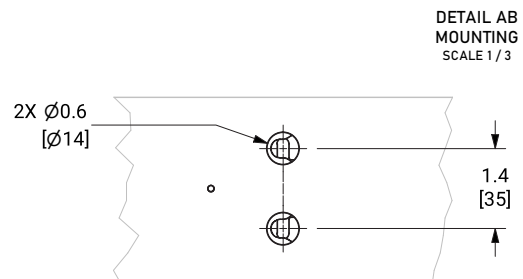
# FEET - KDF029 SERIES

### A STRONG FOUNDATION

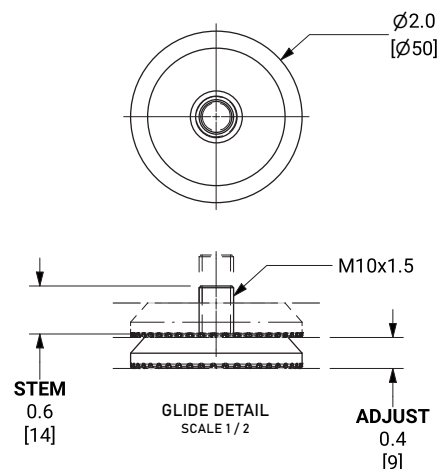
KAIDI engineers carefully design the feet based on ergonomics and mechanics considerations. In order to ensure the overall load-bearing capacity and stability of the whole structure, size and weight ratio of the foot, frame and legs are strictly measured so that shaking risk is eliminated.

- NEW Quick Install Foot
- Compatible with All Columns
- Lever Installed, External Mount
- Adjustable Floor Levelers
- Adaptable for Casters and other Floor Leveler Styles

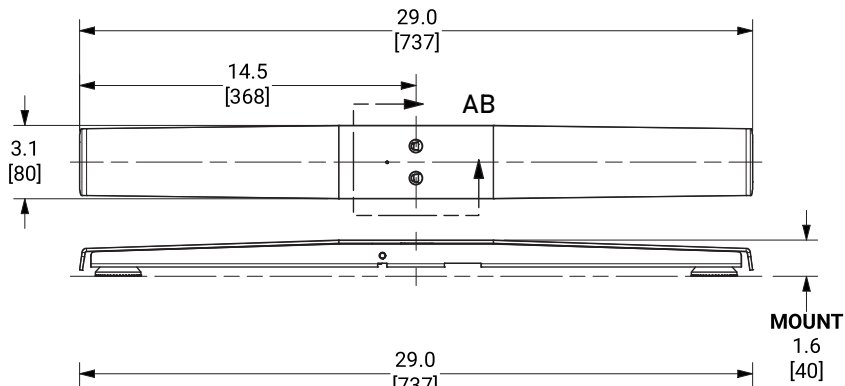
#### NEW Quick Install Foot



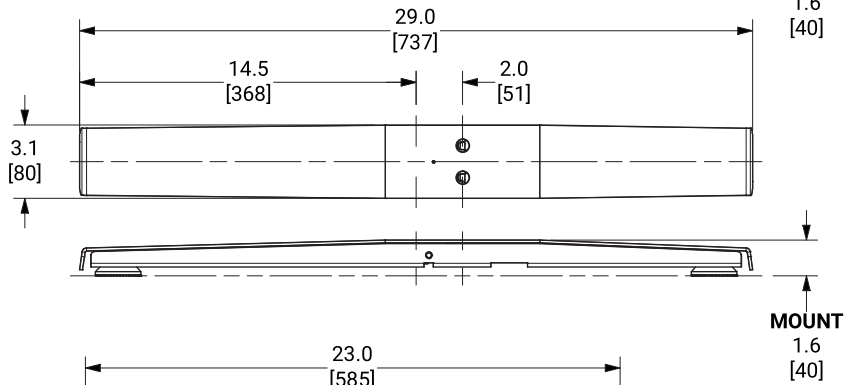
#### Floor Leveler Detail



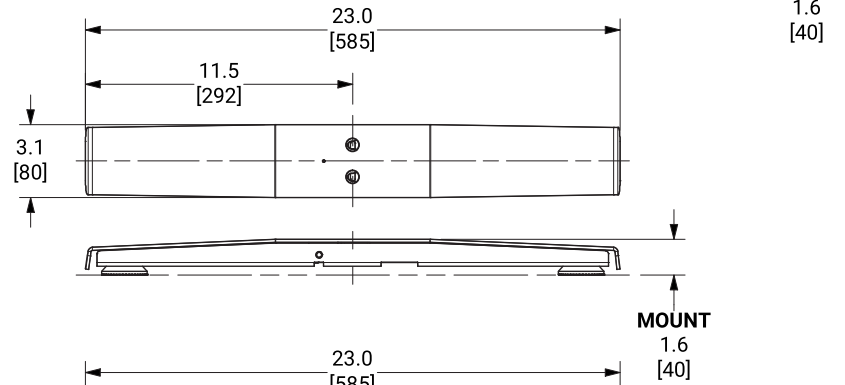
KDF029-3



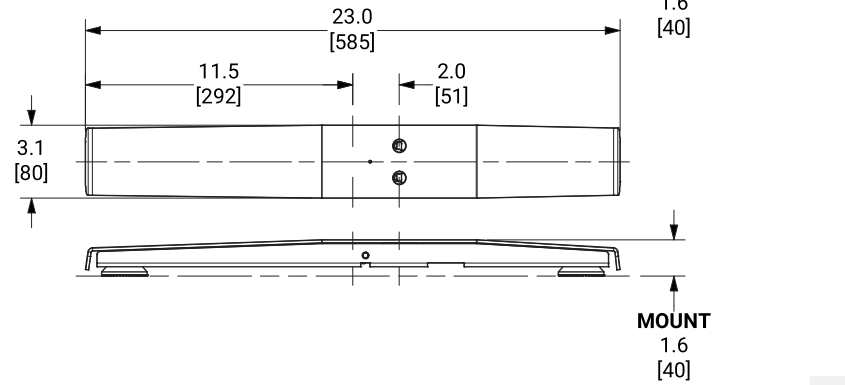
KDF029-1



KDF029-4



KDF029-2



**Product Weight**

KDF029-3	8 lbs / 3.7 kg
KDF029-1	8 lbs / 3.7 kg
KDF029-4	6.3 lbs / 2.9 kg
KDF029-2	6.3 lbs / 2.9 kg