

SPECIFICATION SHEET

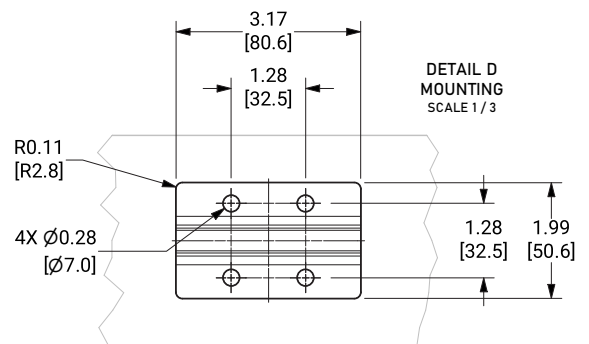
FEET - KDF006F SERIES

A STRONG FOUNDATION

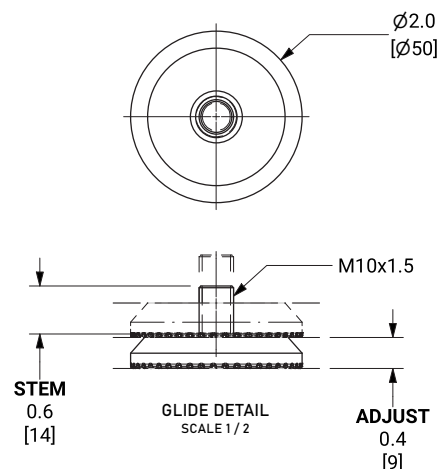
KAIDI engineers carefully design the feet based on ergonomics and mechanics considerations. In order to ensure the overall load-bearing capacity and stability of the whole structure, size and weight ratio of the foot, frame and legs are strictly measured so that shaking risk is eliminated.

- Internal Mount for Slim Rectangular Column
- Adjustable Floor Levelers
- Adaptable for Casters and other Floor Leveler Styles

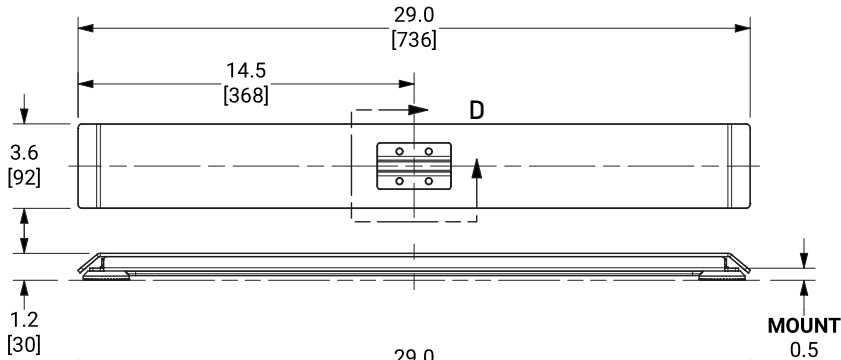
Internal Mount for Slim Rectangular Column



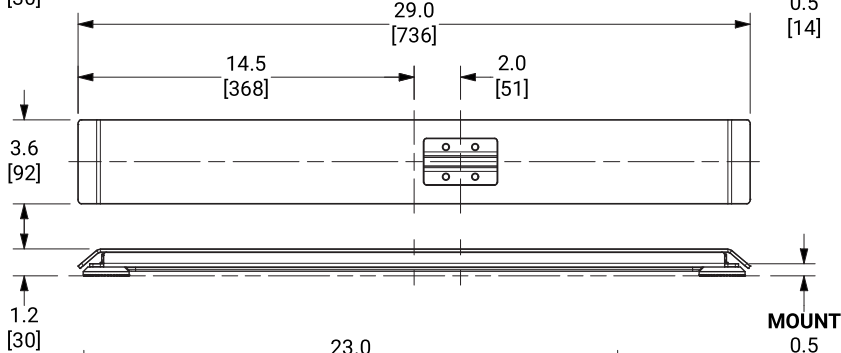
Floor Leveler Detail



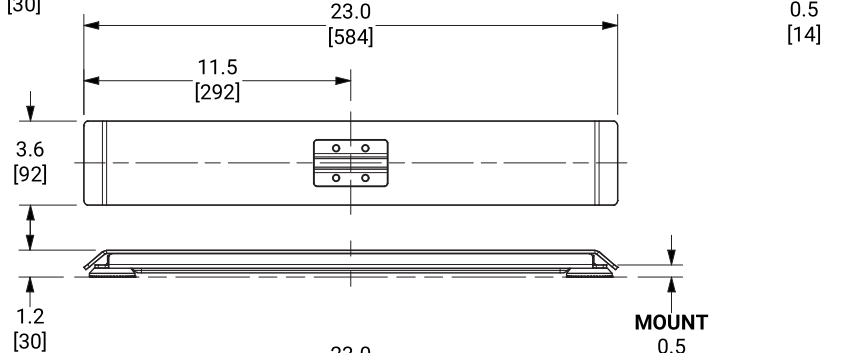
KDF006F-3



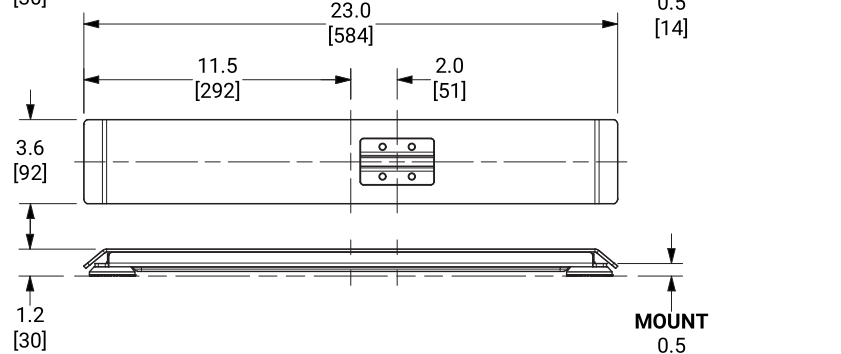
KDF006F-1



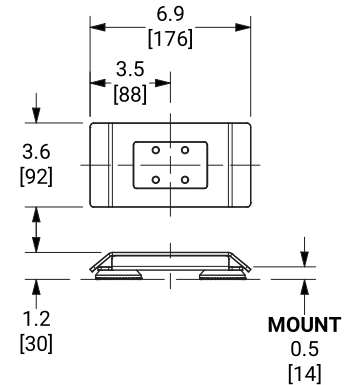
KDF006F-4



KDF006F-2



KDF006F-5



| Product Weight | |
|----------------|------------------|
| KDF006F-3 | 8.9 lbs / 4.1 kg |
| KDF006F-1 | 8.9 lbs / 4.1 kg |
| KDF006F-4 | 7.1 lbs / 3.2 kg |
| KDF006F-2 | 7.1 lbs / 3.2 kg |
| KDF006F-5 | 2 lbs / 0.9 kg |