

## SPECIFICATION SHEET

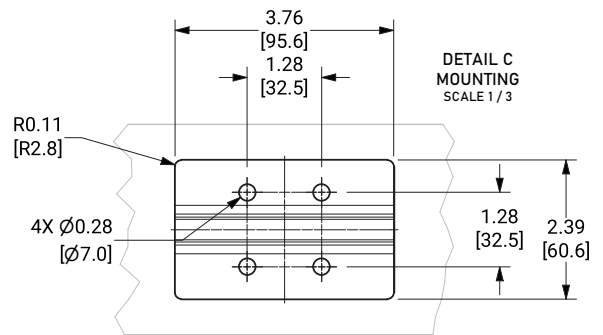
# FEET - KDF006E SERIES

### A STRONG FOUNDATION

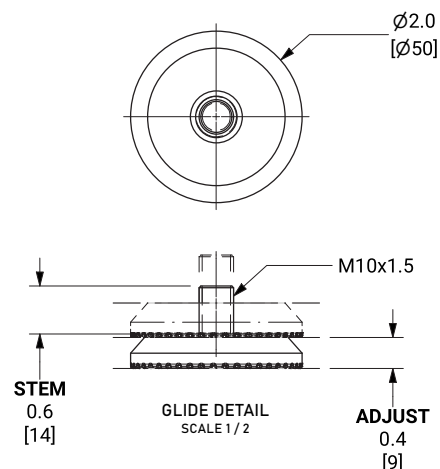
KAIDI engineers carefully design the feet based on ergonomics and mechanics considerations. In order to ensure the overall load-bearing capacity and stability of the whole structure, size and weight ratio of the foot, frame and legs are strictly measured so that shaking risk is eliminated.

- Internal Mount for Rectangular Column
- Adjustable Floor Levelers
- Adaptable for Casters and other Floor Leveler Styles

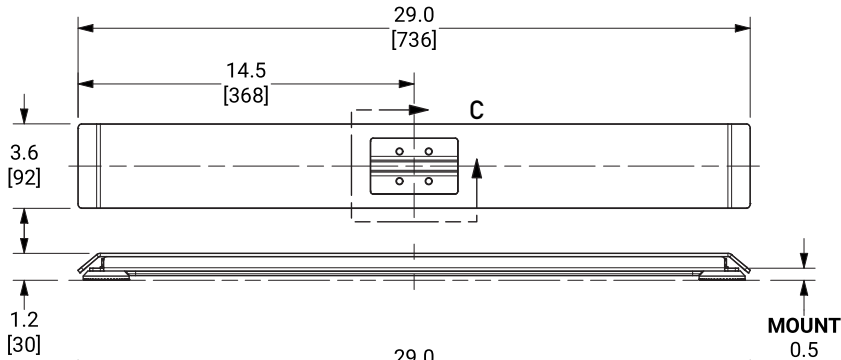
#### Internal Mount for Rectangular Column



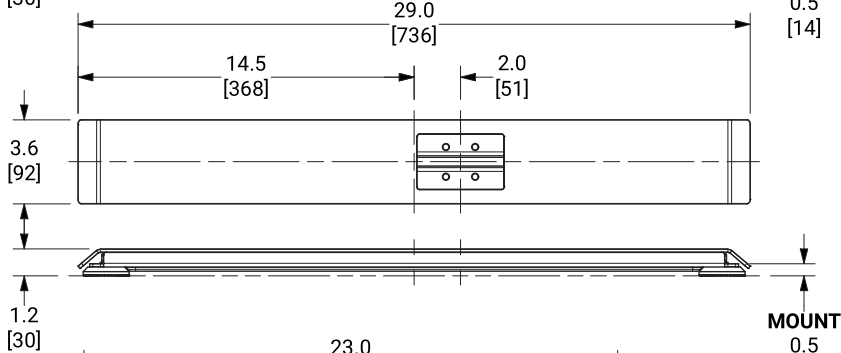
#### Floor Leveler Detail



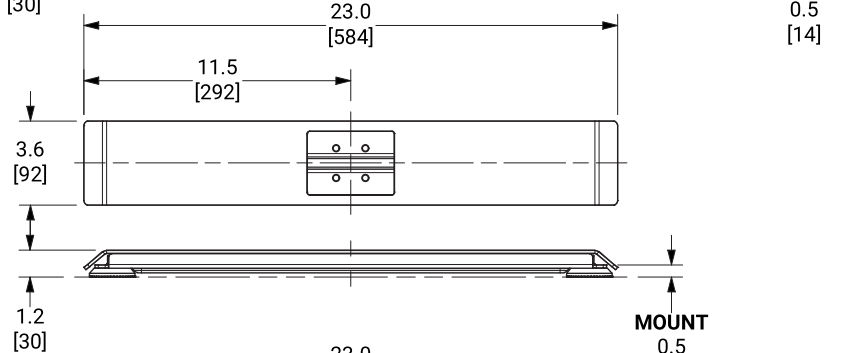
KDF006E-3



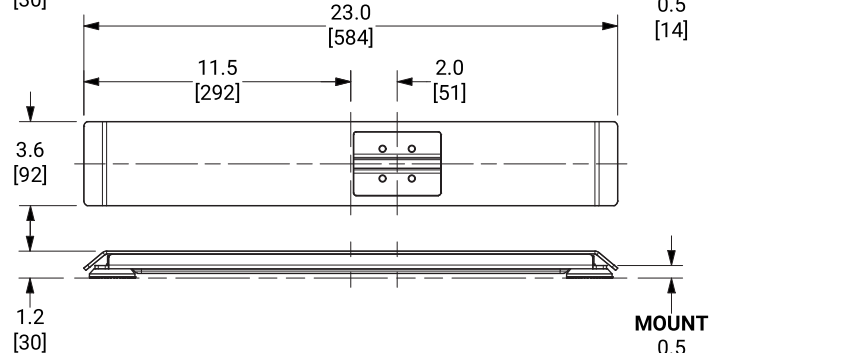
KDF006E-1



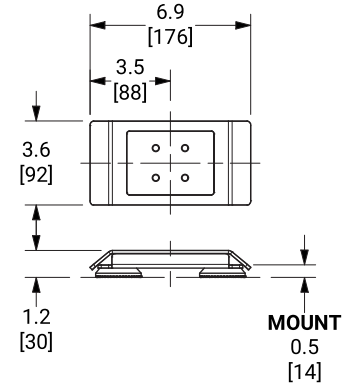
KDF006E-4



KDF006E-2



KDF006E-5



Product Weight	
KDF006E-3	8.9 lbs / 4.1 kg
KDF006E-1	8.9 lbs / 4.1 kg
KDF006E-4	7.1 lbs / 3.2 kg
KDF006E-2	7.1 lbs / 3.2 kg
KDF006E-5	2 lbs / 0.9 kg