

SPECIFICATION SHEET

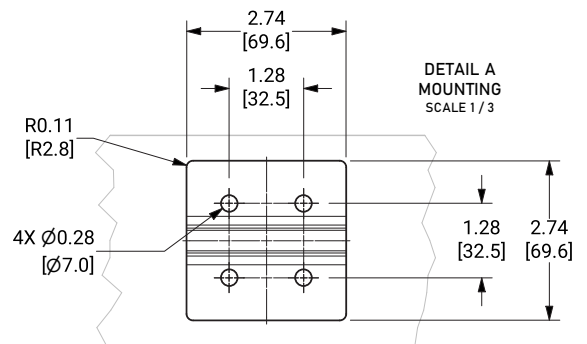
FEET - KDF006D SERIES

A STRONG FOUNDATION

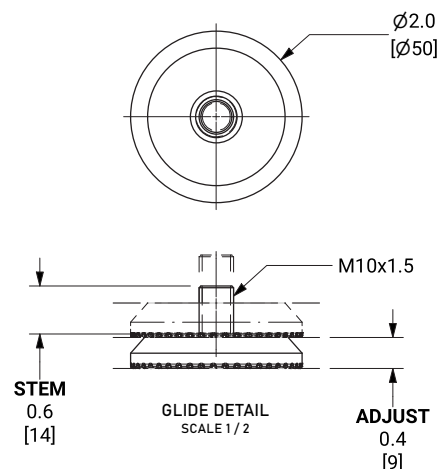
KAIDI engineers carefully design the feet based on ergonomics and mechanics considerations. In order to ensure the overall load-bearing capacity and stability of the whole structure, size and weight ratio of the foot, frame and legs are strictly measured so that shaking risk is eliminated.

- Internal Mount for Square Column
- Adjustable Floor Levelers
- Adaptable for Casters and other Floor Leveler Styles

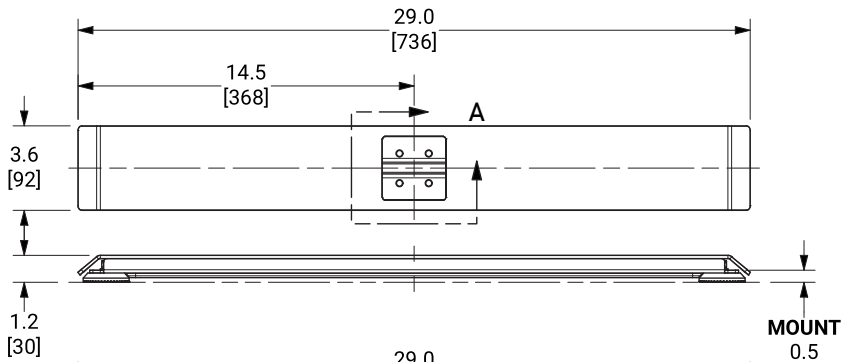
Internal Mount for Square Column



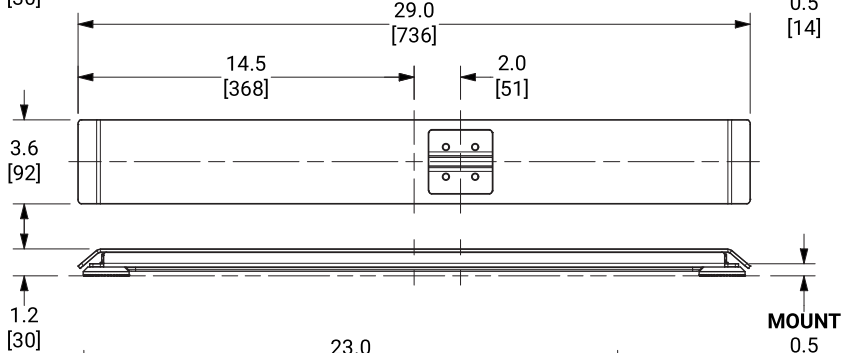
Floor Leveler Detail



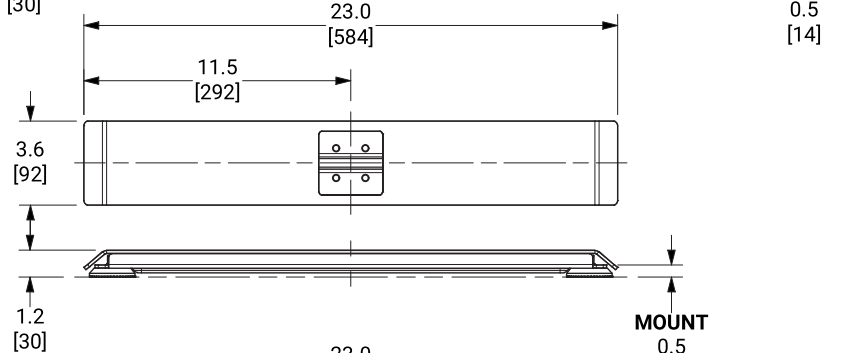
KDF006D-3



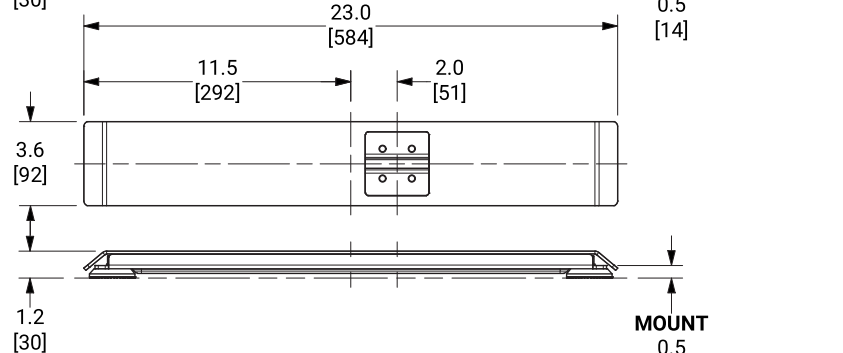
KDF006D-1



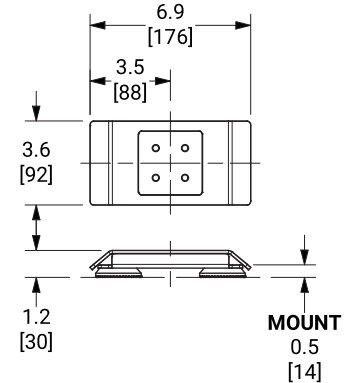
KDF006D-4



KDF006D-2



KDF006D-5



Product Weight	
KDF006D-3	8.1 lbs / 3.7 kg
KDF006D-1	8.1 lbs / 3.7 kg
KDF006D-4	6.4 lbs / 2.9 kg
KDF006D-2	6.4 lbs / 2.9 kg
KDF006D-5	2 lbs / 0.9 kg