

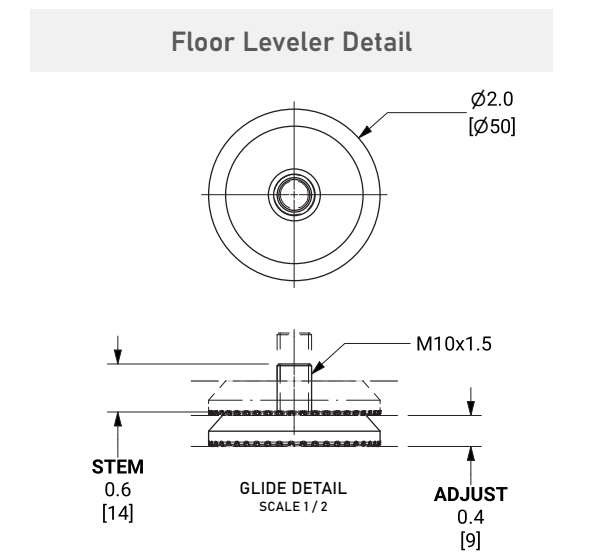
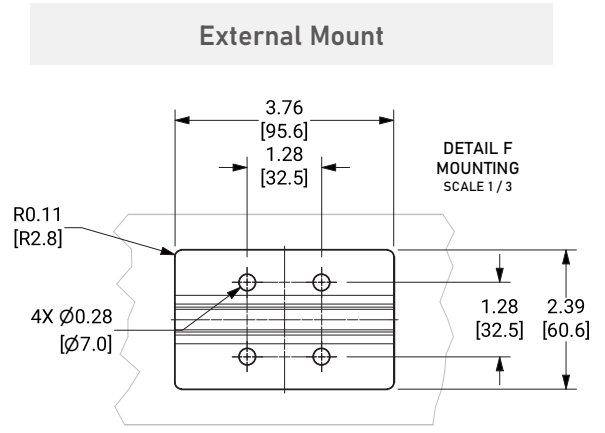
SPECIFICATION SHEET

FEET - KDF006C SERIES

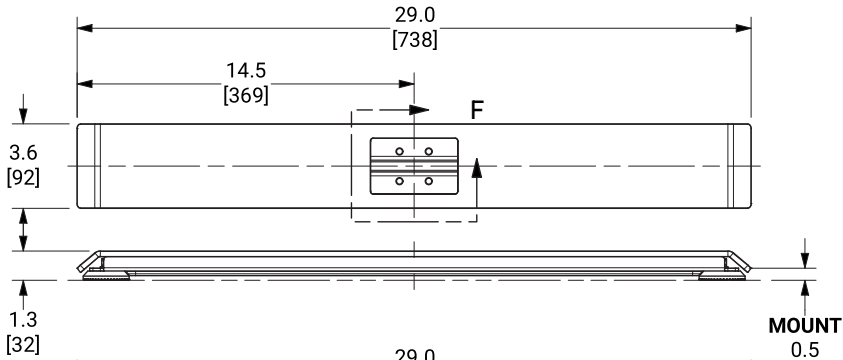
A STRONG FOUNDATION

KAIDI engineers carefully design the feet based on ergonomics and mechanics considerations. In order to ensure the overall load-bearing capacity and stability of the whole structure, size and weight ratio of the foot, frame and legs are strictly measured so that shaking risk is eliminated.

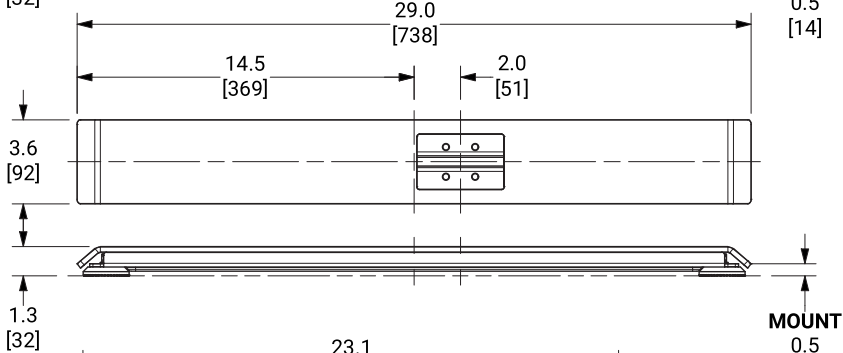
- External Mount
- Compatible with All Columns
- Adjustable Floor Levelers
- Adaptable for Casters and other Floor Leveler Styles



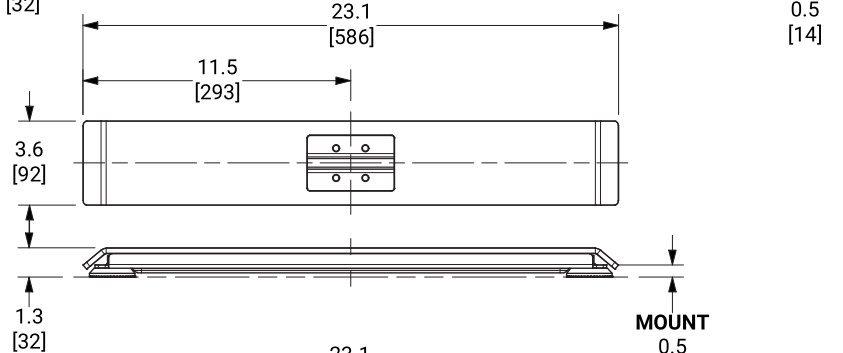
KDF006C-3



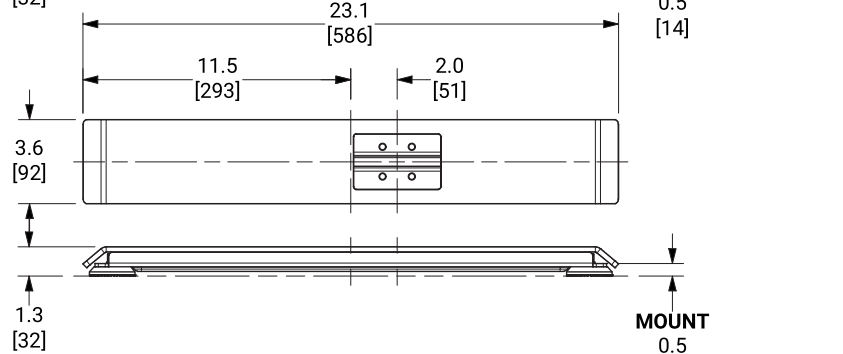
KDF006C-1



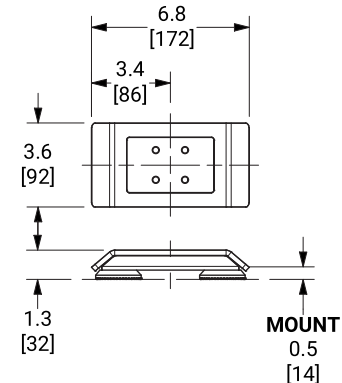
KDF006C-4



KDF006C-2



KDF006C-5



Product Weight	
KDF006C-3	7.5 lbs / 3.4 kg
KDF006C-1	7.5 lbs / 3.4 kg
KDF006C-4	5.9 lbs / 2.7 kg
KDF006C-2	5.9 lbs / 2.7 kg
KDF006C-5	1.8 lbs / 0.8 kg