

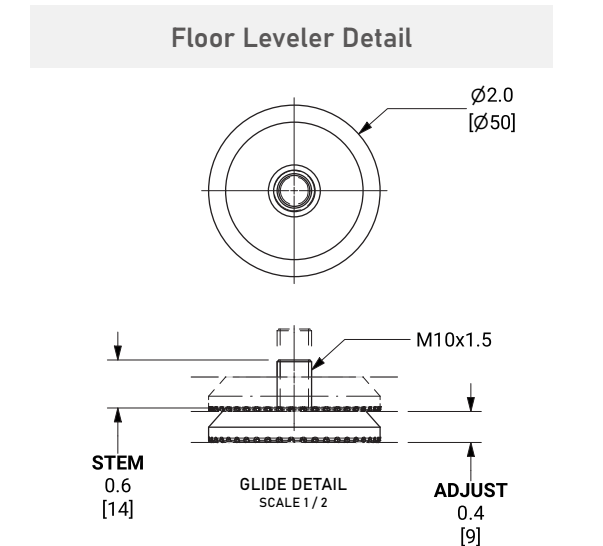
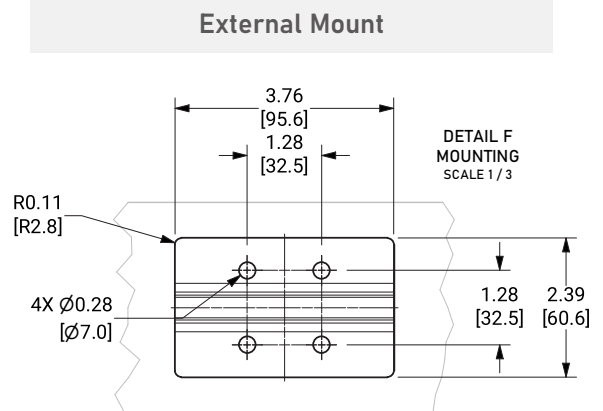
SPECIFICATION SHEET

FEET - KDF006B SERIES

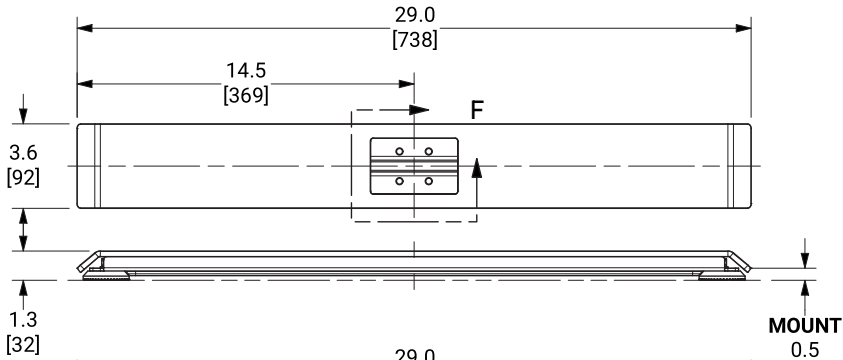
A STRONG FOUNDATION

KAIDI engineers carefully design the feet based on ergonomics and mechanics considerations. In order to ensure the overall load-bearing capacity and stability of the whole structure, size and weight ratio of the foot, frame and legs are strictly measured so that shaking risk is eliminated.

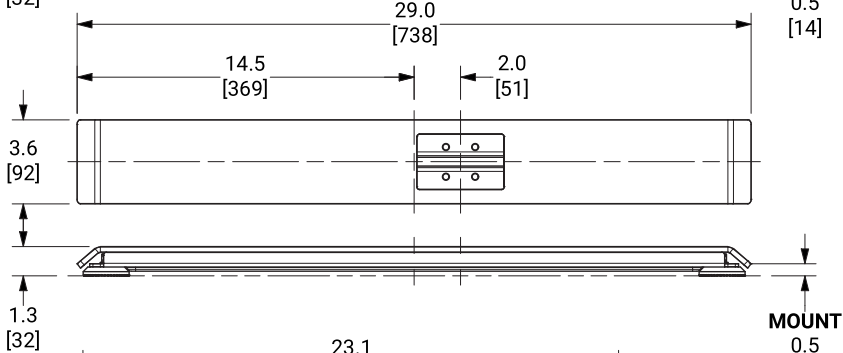
- External Mount
- Compatible with All Columns
- Adjustable Floor Levelers
- Adaptable for Casters and other Floor Leveler Styles



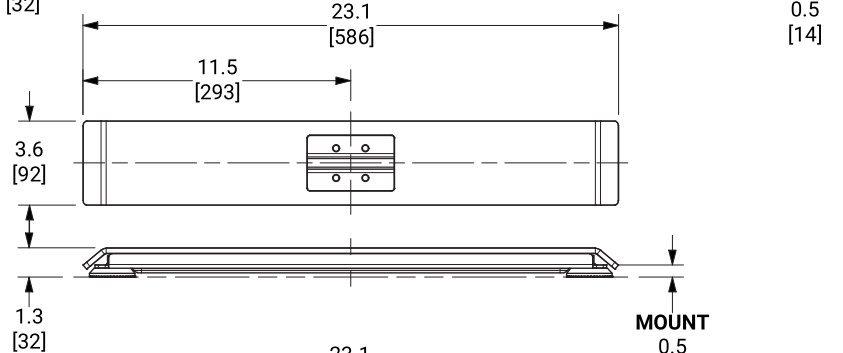
KDF006B-3



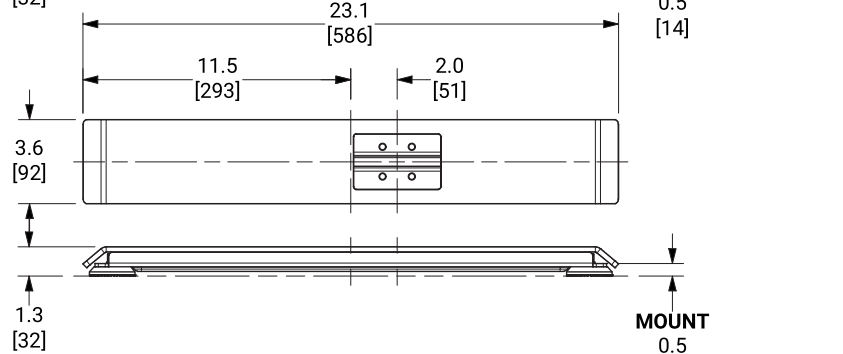
KDF006B-1



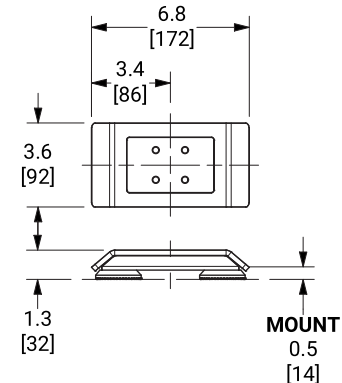
KDF006B-4



KDF006B-2



KDF006B-5



Product Weight	
KDF006B-3	11.7 lbs / 5.3 kg
KDF006B-1	11.7 lbs / 5.3 kg
KDF006B-4	9.3 lbs / 4.2 kg
KDF006B-2	9.3 lbs / 4.2 kg
KDF006B-5	n/a / n/a