

SPECIFICATION SHEET

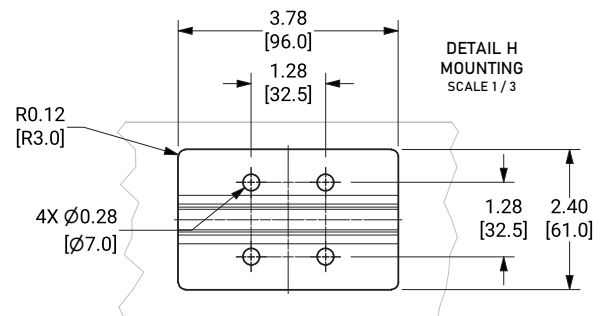
FEET - KDF005C SERIES

A STRONG FOUNDATION

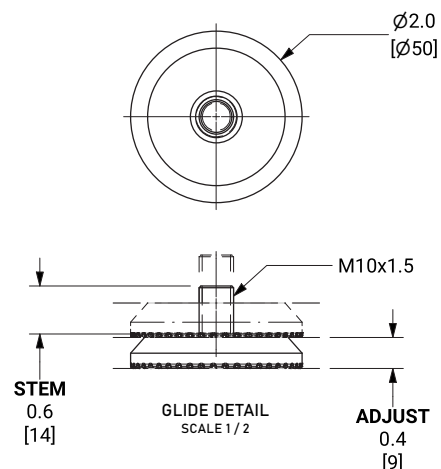
KAIDI engineers carefully design the feet based on ergonomics and mechanics considerations. In order to ensure the overall load-bearing capacity and stability of the whole structure, size and weight ratio of the foot, frame and legs are strictly measured so that shaking risk is eliminated.

- Internal Mount for Rectangular Column
- Adjustable Floor Levelers
- Adaptable for Casters and other Floor Leveler Styles

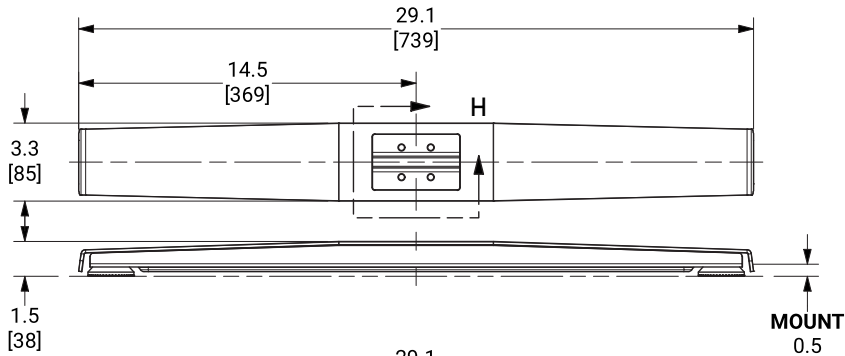
Internal Mount for Rectangular Column



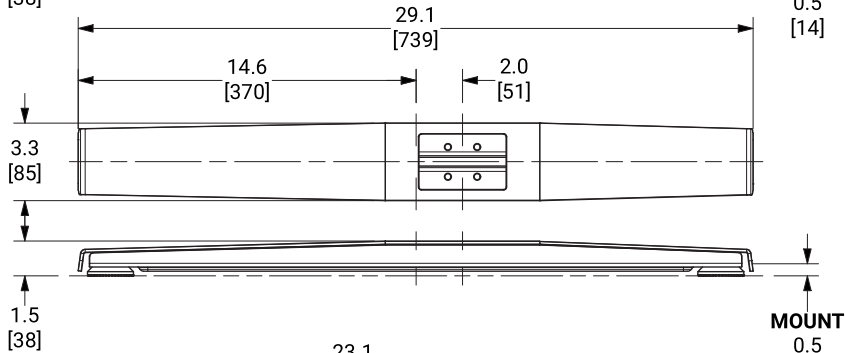
Floor Leveler Detail



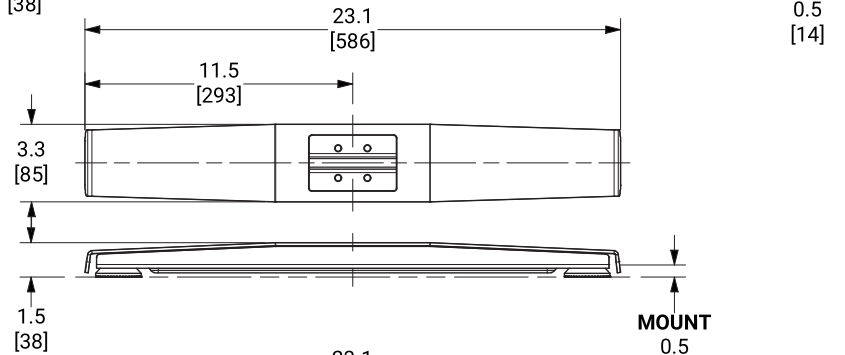
KDF005C-3



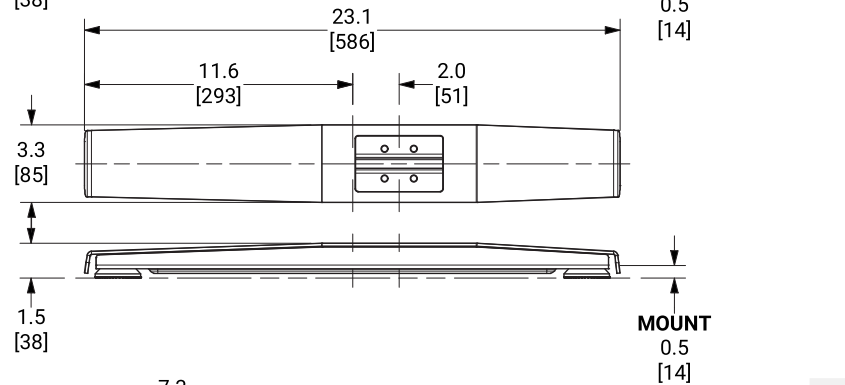
KDF005C-1



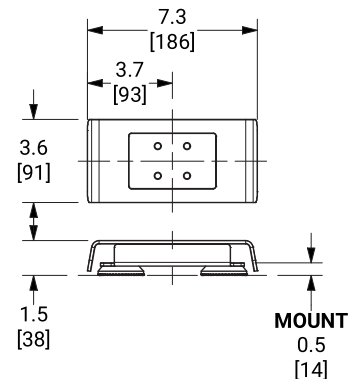
KDF005C-4



KDF005C-2



KDF005C-5



Product Weight

KDF005C-3	8.1 lbs / 3.7 kg
KDF005C-1	8.1 lbs / 3.7 kg
KDF005C-4	6.4 lbs / 2.9 kg
KDF005C-2	6.4 lbs / 2.9 kg
KDF005C-5	2 lbs / 0.9 kg