

SPECIFICATION SHEET

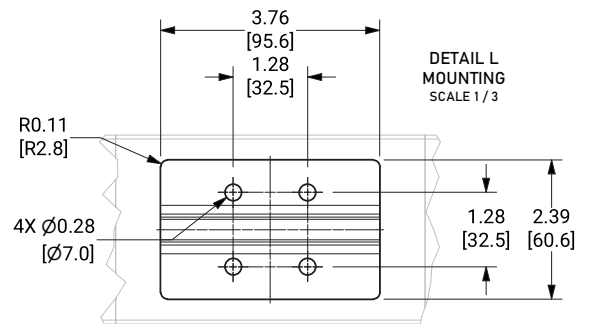
FEET - KDF004B SERIES

A STRONG FOUNDATION

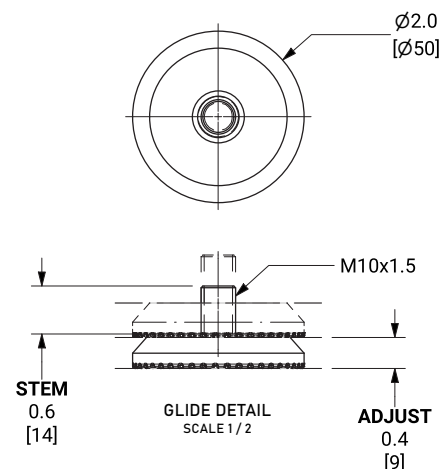
KAIDI engineers carefully design the feet based on ergonomics and mechanics considerations. In order to ensure the overall load-bearing capacity and stability of the whole structure, size and weight ratio of the foot, frame and legs are strictly measured so that shaking risk is eliminated.

- Internal Mount for Rectangular Column
- Adjustable Floor Levelers
- Adaptable for Casters and other Floor Leveler Styles

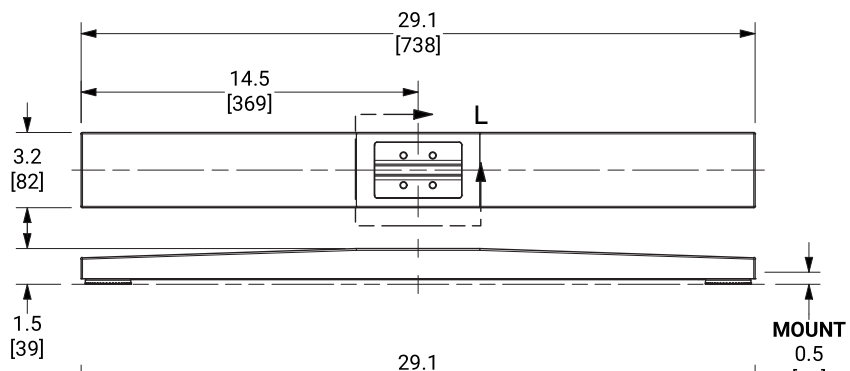
Internal Mount for Rectangular Column



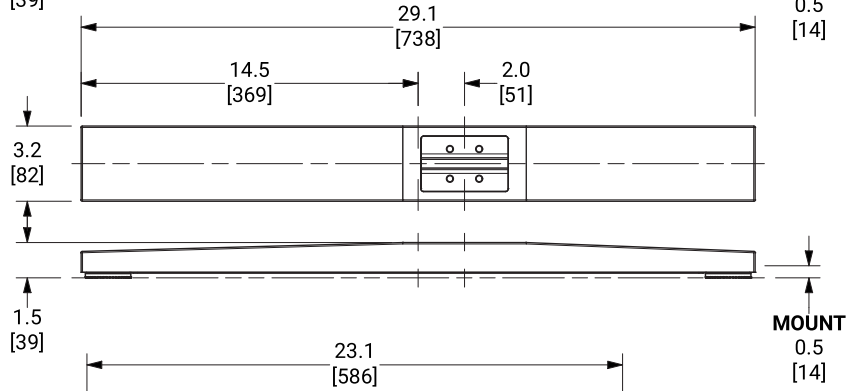
Floor Leveler Detail



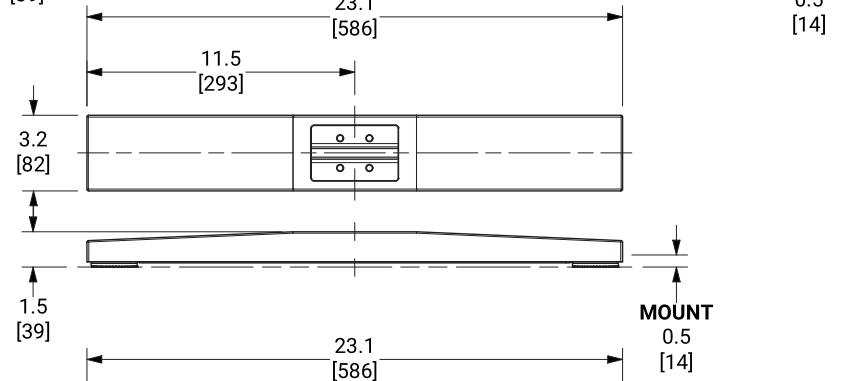
KDF004B-3



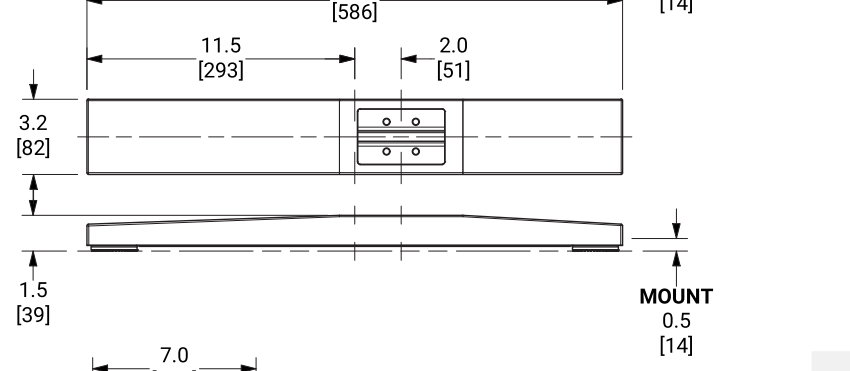
KDF004B-1



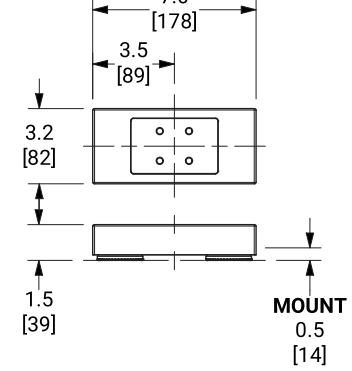
KDF004B-4



KDF004B-2



KDF004B-5



Product Weight	
KDF004B-3	7.3 lbs / 3.3 kg
KDF004B-1	7.2 lbs / 3.3 kg
KDF004B-4	5.9 lbs / 2.7 kg
KDF004B-2	5.8 lbs / 2.6 kg
KDF004B-5	1.8 lbs / 0.8 kg