



## SPECIFICATION SHEET

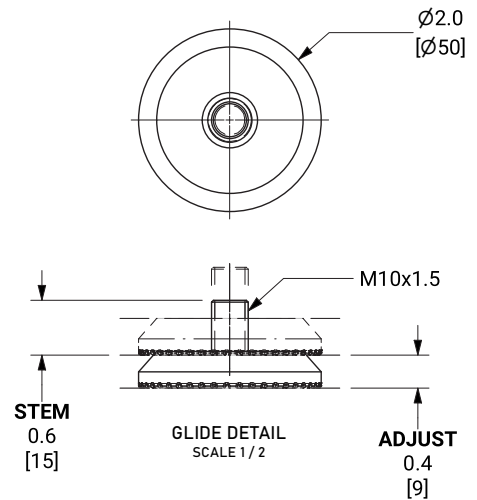
# CAP-STYLE FLOOR LEVELER ADAPTER

### CUSTOMIZATE YOUR BASE

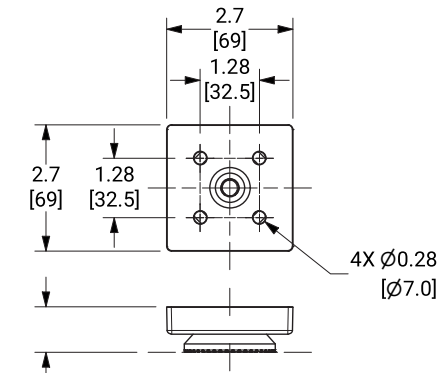
Optimize your setup with our innovative feet options that don't rely on conventional designs. Easily install these cap-style feet to enjoy the same reliable floor leveling component that aligns seamlessly with other KAIDI bases.

SQUARE PROFILE	KDF007
SLIM RECTANGLE PROFILE	KDF025
RECTANGLE PROFILE	KDF009
CIRCLE PROFILE	KDF012

### Floor Leveler Detail

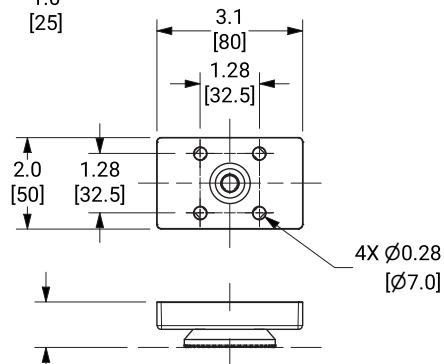


KDF007



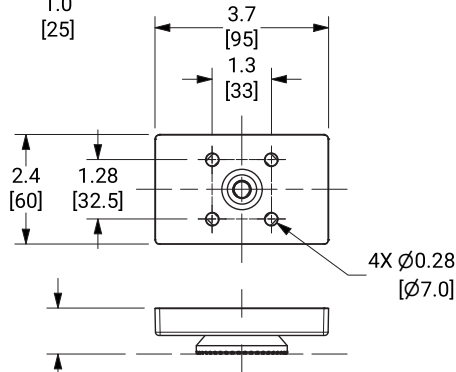
**MOUNT**  
1.0  
[25]

KDF025



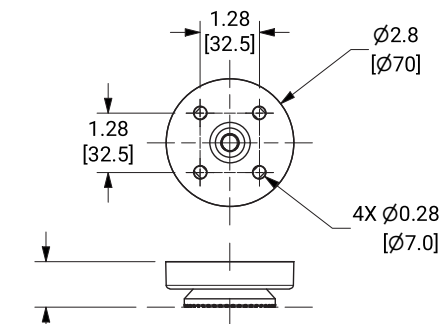
**MOUNT**  
1.0  
[25]

KDF009



**MOUNT**  
1.0  
[25]

KDF012



**MOUNT**  
1.0  
[25]