

HOMEBASE V2

Stable. Flexible. Our Best Selling Base.





STANDARD CONFIGURATION

LEG CONFIG.

(OPTIONS AVAILABLE PG. 3)

TYPE	DUAL STAGE
QTY	2-LEG
PROFILE	SQUARE

FOOT CONFIG.

(OPTIONS AVAILABLE PG. 3)

TYPE	SLIM
MOUNTING POSITION	CENTER
LENGTH	610 mm 24.0 in

FRAME DIMENSIONS

FRAME SIZE

WIDTH, W_F	1035 mm ↔ 1735 mm	40.7 in ↔ 68.3 in
DEPTH, D_F	523 mm	20.6 in

REC. DESK SIZE

WIDTH, W_R	1041 mm ↔ 1836 mm	41.0 in ↔ 72.3 in
DEPTH, D_R	559 mm ↔ 914 mm	22.0 in ↔ 36.0 in

HEIGHT RANGE

(*HEIGHT REFLECTS 1" TOP AND FOOT, OPTIONS AVAILABLE PG. 3)

HEIGHT, H^*	582 mm ↔ 1245 mm	22.9 in ↔ 49.0 in
STROKE, S	663 mm	26.1 in
BIFMA COMPLIANT	YES	

HANDSET

(OPTIONS AVAILABLE PG. 3)

SIMPLE UP/DOWN

FINISH

(OPTIONS AVAILABLE PG. 3)

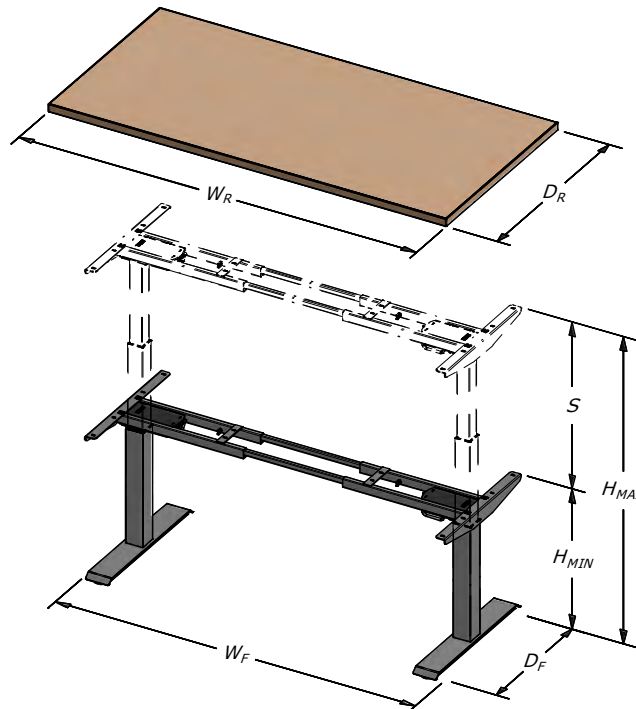
FRAME FINISH

SILVER



OPERATION

SPEED	36.0 mm/s	1.42 in/s
MAX LIFT CAPACITY	160.0 kg	350 lbs
RATED LOAD	100.0 kg	220 lbs
NOISE		50 dB



SHIPPING

(OPTIONS AVAILABLE PG. 3)

PACKAGE PARAMETERS ($L_P \times W_P \times H_P$ - wt.)

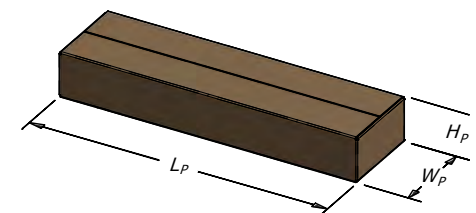
1-BOX (ISTA CERTIFIED)

1	1090 mm X 465 mm X 195 mm	32.0 kg
	[42.9 in X 18.3 in X 7.7 in]	[70 lb]

KEY FEATURES

HOMEBASE v2 - Further improvements on the market's **EASIEST** and **FASTEST** base to assemble!

- > Reduced package volume
 - + More product per container decreases inbound shipping cost
 - + Smaller packaging lowers shipment cost to customers
- > Lighter weight
 - + Overall lighter weight reduces all associated shipping costs
 - + Increases mobility for DIY assemblers
- > Streamlined design
 - + Simplification of the frame makes for an attractive aesthetic
- > Optimized installation lever
 - + Mechanism complexity reduced, saving on production costs
- > Integrated wire management
 - + Screw-less cable clips make wire management a breeze



OPTIONS

LEG CONFIG.

▶ STANDARD OPTION

PROFILE

- ▶ SQUARE
- RECTANGULAR
- ROUND

LEG TYPE

SINGLE STAGE

- | | | |
|------------------------------|------------------|-------------------|
| STROKE, <i>S</i> | 440 mm | 17.3 in |
| HEIGHT, <i>H_L</i> | 650 mm ↔ 1090 mm | 25.6 in ↔ 42.9 in |
| BIFMA | YES | |

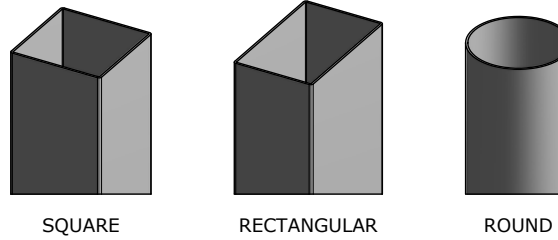
- | | | |
|------------------------------|------------------|-------------------|
| STROKE, <i>S</i> | 500 mm | 19.7 in |
| HEIGHT, <i>H_L</i> | 662 mm ↔ 1162 mm | 26.1 in ↔ 45.8 in |
| BIFMA | YES | |

DUAL STAGE

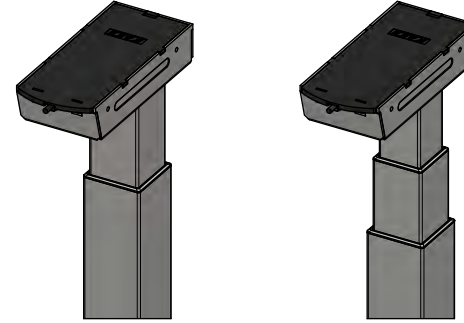
- ▶

STROKE, <i>S</i>	663 mm	26.1 in
HEIGHT, <i>H_L</i>	536 mm ↔ 1199 mm	21.1 in ↔ 47.2 in
BIFMA	YES	

- | | | |
|------------------------------|------------------|-------------------|
| STROKE, <i>S</i> | 650 mm | 25.6 in |
| HEIGHT, <i>H_L</i> | 580 mm ↔ 1230 mm | 22.8 in ↔ 48.4 in |
| BIFMA | YES | |



SQUARE RECTANGULAR ROUND



SINGLE STAGE DUAL STAGE

FOOT CONFIG.

FOOT STYLE (HEIGHT, *H_T*)

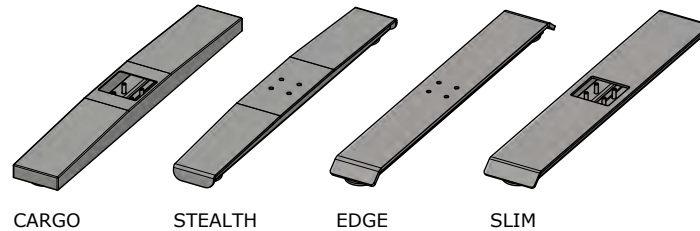
- ▶ SLIM 14 mm 0.5 in
- STEALTH 38 mm 1.5 in
- EDGE 32 mm 1.3 in
- CARGO 14 mm 0.5 in

MOUNTING POSITION

- ▶ CENTER
- OFFSET

NOMINAL LENGTH

- ▶ STANDARD 610 mm 24.0 in
- LONG 762 mm 30.0 in



CARGO STEALTH EDGE SLIM

HANDSETS

HANDSET OPTIONS

- ▶ SIMPLE UP/DOWN
- 3 MEM. POS.
- PADDLE
- 4 MEM. POS.
- DIGITAL
- WIRELESS
- BLUETOOTH

FINISH

FRAME

- ▶ SILVER
- BLACK
- WHITE
- CUSTOM

SHIPPING

PACKAGE PARAMETERS (*L_P X W_P X H_P - wt.*)

1-BOX (ISTA CERTIFIED)

- ▶

1	1090 mm X 465 mm X 195 mm	32.0 kg
	[42.9 in X 18.3 in X 7.7 in]	[70 lb]

2-BOX

- | | | |
|------------------------|-------------------------------|-----------|
| FRAME & FEET | | |
| 1 | 1085 mm X 205 mm X 150 mm | 16.3 kg |
| | [42.7 in X 8.1 in X 5.9 in] | [36 lb] |
| COLUMNS (SINGLE STAGE) | | |
| 2 | 685 mm X 245 mm X 118 mm | 13.6 kg |
| | [27.0 in X 9.6 in X 4.6 in] | [30 lb] |
| COLUMNS (DUAL STAGE) | | |
| 2 | 760 mm X 245 mm X 118 mm | 16.3 kg |
| | [29.9 in X 9.6 in X 4.6 in] | [36 lb] |