

# HOMEBASE CONVENTIONAL

Productivity. At the touch of a button





## STANDARD CONFIGURATION

### LEG CONFIG.

(OPTIONS AVAILABLE PG. 3)

TYPE	DUAL STAGE
QTY	2-LEG
PROFILE	SQUARE

### FOOT CONFIG.

(OPTIONS AVAILABLE PG. 3)

TYPE	SLIM
MOUNTING POSITION	CENTER
LENGTH	610 mm      24.0 in

### FRAME DIMENSIONS

#### FRAME SIZE

WIDTH, $W_F$	1035 mm ↔ 1735 mm	40.7 in ↔ 68.3 in
DEPTH, $D_F$	523 mm	20.6 in

#### REC. DESK SIZE

WIDTH, $W_R$	1041 mm ↔ 1836 mm	41.0 in ↔ 72.3 in
DEPTH, $D_R$	559 mm ↔ 914 mm	22.0 in ↔ 36.0 in

### HEIGHT RANGE

(\*HEIGHT REFLECTS 1" TOP AND FOOT, OPTIONS AVAILABLE PG. 3)

HEIGHT, $H^*$	582 mm ↔ 1245 mm	22.9 in ↔ 49.0 in
STROKE, $S$	663 mm	26.1 in
BIFMA COMPLIANT	YES	

### HANDSET

(OPTIONS AVAILABLE PG. 3)

SIMPLE UP/DOWN

### FINISH

(OPTIONS AVAILABLE PG. 3)

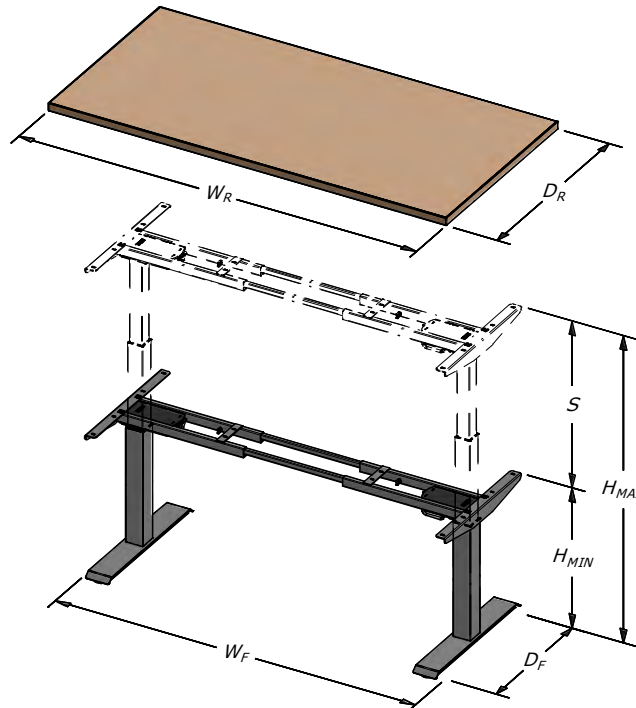
#### FRAME FINISH

SILVER



#### OPERATION

SPEED	36.0 mm/s	1.42 in/s
MAX LIFT CAPACITY	160.0 kg	350 lbs
RATED LOAD	100.0 kg	220 lbs
NOISE		50 dB



### SHIPPING

(OPTIONS AVAILABLE PG. 3)

#### PACKAGE PARAMETERS ( $L_P \times W_P \times H_P$ - wt.)

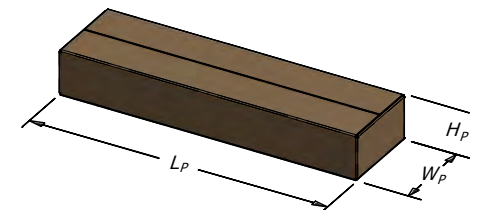
1-BOX (ISTA CERTIFIED)

1	1090 mm X 465 mm X 195 mm	32.0 kg
	[ 42.9 in X 18.3 in X 7.7 in ]	[ 70 lb ]

### KEY FEATURES

HOMEBASE v2 - Further improvements on the market's **EASIEST** and **FASTEST** base to assemble!

- > Reduced package volume
  - + More product per container decreases inbound shipping cost
  - + Smaller packaging lowers shipment cost to customers
- > Lighter weight
  - + Overall lighter weight reduces all associated shipping costs
  - + Increases mobility for DIY assemblers
- > Streamlined design
  - + Simplification of the frame makes for an attractive aesthetic
- > Optimized installation lever
  - + Mechanism complexity reduced, saving on production costs
- > Integrated wire management
  - + Screw-less cable clips make wire management a breeze



## OPTIONS

### LEG CONFIG.

▶ STANDARD OPTION

#### PROFILE

- ▶  SQUARE
- RECTANGULAR
- ROUND

#### LEG TYPE

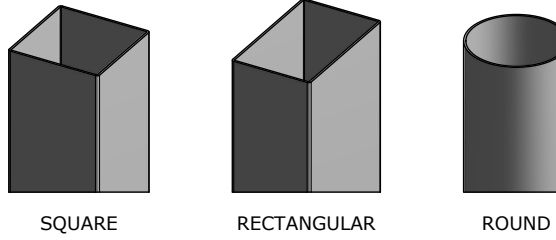
##### SINGLE STAGE

- |               |                  |                   |
|---------------|------------------|-------------------|
| STROKE, $S$   | 440 mm           | 17.3 in           |
| HEIGHT, $H_L$ | 650 mm ↔ 1090 mm | 25.6 in ↔ 42.9 in |
| BIFMA         | YES              |                   |
- |               |                  |                   |
|---------------|------------------|-------------------|
| STROKE, $S$   | 500 mm           | 19.7 in           |
| HEIGHT, $H_L$ | 662 mm ↔ 1162 mm | 26.1 in ↔ 45.8 in |
| BIFMA         | YES              |                   |

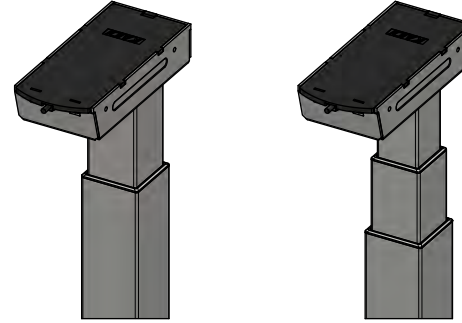
##### DUAL STAGE

- ▶ 

STROKE, $S$	663 mm	26.1 in
HEIGHT, $H_L$	536 mm ↔ 1199 mm	21.1 in ↔ 47.2 in
BIFMA	YES	
- |               |                  |                   |
|---------------|------------------|-------------------|
| STROKE, $S$   | 650 mm           | 25.6 in           |
| HEIGHT, $H_L$ | 580 mm ↔ 1230 mm | 22.8 in ↔ 48.4 in |
| BIFMA         | YES              |                   |



SQUARE                  RECTANGULAR                  ROUND



SINGLE STAGE                  DUAL STAGE

### HANDSETS

#### HANDSET OPTIONS

- ▶  SIMPLE UP/DOWN
- PADDLE
- DIGITAL
- BLUETOOTH
- 3 MEM. POS.
- 4 MEM. POS.
- WIRELESS

### FINISH

#### FRAME

- ▶  SILVER
- BLACK
- WHITE
- CUSTOM

### SHIPPING

#### PACKAGE PARAMETERS ( $L_p \times W_p \times H_p$ - wt. )

##### 1-BOX

- ▶ 

{	1	1180 mm X 665 mm X 145 mm	35.0 kg
		[ 46.5 in X 25.8 in X 5.7 in ]	[ 77 lb ]

##### 2-BOX

- |   |   |                                |           |
|---|---|--------------------------------|-----------|
| { | 1 | 1180 mm X 585 mm X 90 mm       | 20.0 kg   |
|   |   | [ 46.5 in X 23.0 in X 3.5 in ] | [ 44 lb ] |
|   | 2 | 795 mm X 375 mm X 150 mm       | 20.0 kg   |
|   |   | [ 31.3 in X 14.8 in X 5.9 in ] | [ 44 lb ] |

### FOOT CONFIG.

#### FOOT STYLE ( HEIGHT, $H_f$ )

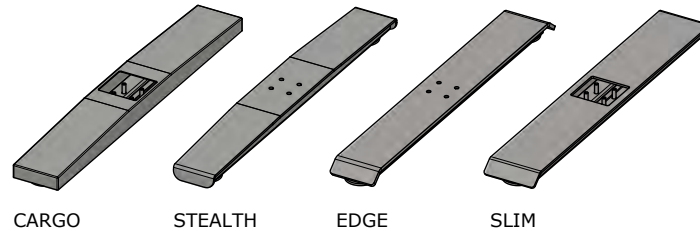
- ▶  SLIM                  14 mm                  0.5 in
- STEALTH              38 mm                  1.5 in
- EDGE                  32 mm                  1.3 in
- CARGO                14 mm                  0.5 in

#### MOUNTING POSITION

- ▶  CENTER
- OFFSET

#### NOMINAL LENGTH

- ▶  STANDARD            610 mm                  24.0 in
- LONG                  762 mm                  30.0 in



CARGO                  STEALTH                  EDGE                  SLIM