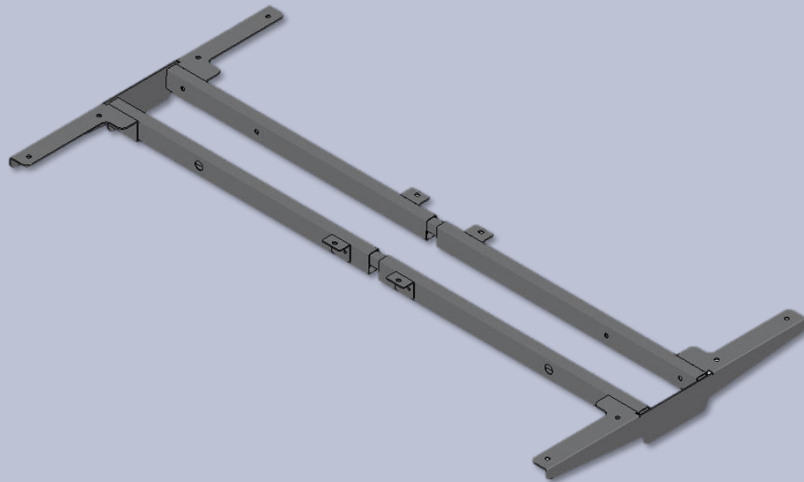


# Specification Sheet

FRAME – KDTJ053-2



CATEGORY:

FRAME

COLUMN

FOOT

CONTROL BOX

HANDSET

**DESCRIPTION**

2-LEG, ADJUSTABLE LENGTH FRAME

**PART NUMBER**

**KDTJ053-2**

**FEATURES**

- ADJUSTABLE LENGTH (41-68IN. RANGE)
- RECTANGULAR TUBE PROFILE

SPECIFICATIONS	METRIC	ENGLISH
ADJUSTABLE LENGTH	1035-1735MM	40.7-68.3IN
WIDTH	523MM	20.6IN
RECOMMENDED TOP SIZE	1035-1837MM	40.7-72.3IN
WEIGHT	5.0 KG	10.9 LBS
MATERIAL	SPCC STEEL	
CONFIGURATION	CENTERED	
ASSEMBLY	CONVENTIONAL	

## DIMENSIONS

