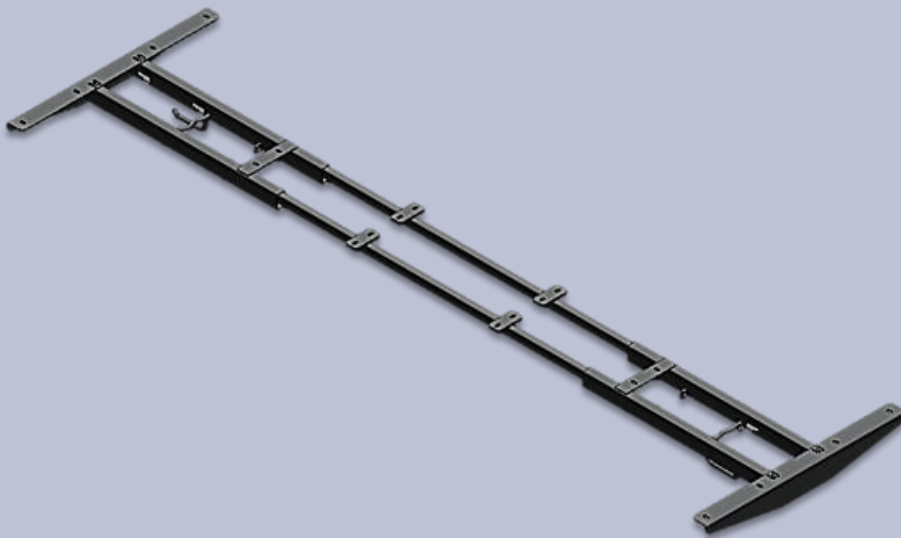


Specification Sheet

FRAME – KDTJ033B-14



CATEGORY:

FRAME

COLUMN

FOOT

CONTROL BOX

HANDSET

DESCRIPTION

PART NUMBER

EXTENDED 2-LEG, QUICK-INSTALL, ADJUSTABLE LENGTH FRAME

KDTJ033B-14

FEATURES

- EXTENDED FRAME
- ADJUSTABLE LENGTH (58-89 IN. RANGE)
- QUICK INSTALL



RAL 9016



RAL 7047



RAL 9011



More Colors

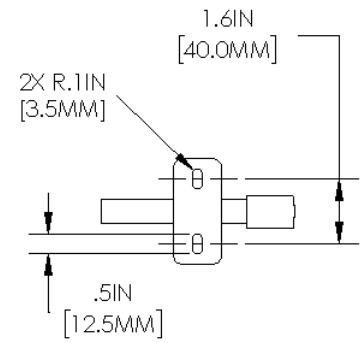
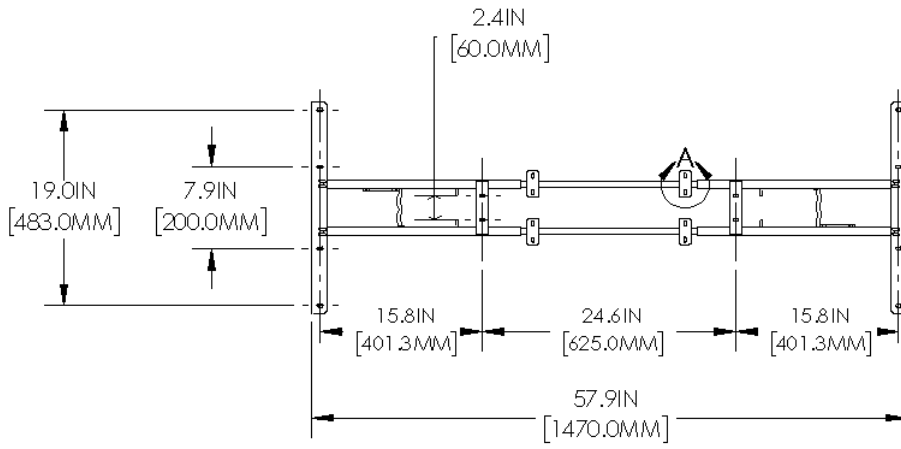
SPECIFICATIONS

METRIC

ENGLISH

| SPECIFICATIONS | METRIC | ENGLISH |
|-----------------------------|---------------|-------------|
| ADJUSTABLE LENGTH | 1470-2265MM | 57.9-89.2IN |
| WIDTH | 523MM | 20.6IN |
| RECOMMENDED TOP SIZE | 1473-2134MM | 58-84IN |
| WEIGHT | 8.1 KG | 17.8 LBS |
| MATERIAL | SPCC STEEL | |
| CONFIGURATION | CENTERED | |
| ASSEMBLY | QUICK-INSTALL | |

DIMENSIONS



DETAIL A

