

#### **Kaidi Electrical Inc. (HQ)**

A: No. 2 Hengcui Road, Henglin, Changzhou,  
Jiangsu, China.

T: +86519-67898510

F: +86519-67898519

E: desk@czkaidi.cn

www.czkaidi.cn

#### **Kaidi LLC (USA)**

A: 342 40th St.  
Holland, MI 49423

T: (616) 546-1950

E: KaidiOfficeUSA@KaidiElectrical.com

www.KaidiOfficeUSA.com

#### **Kaidi Electrical Europe GmbH**

A: Schwabing Business Park Wilhelm-Wagenfeld-Strasse  
16 80807 Munchen Germany

T: +49-(0)89-41414409-0

#### **Kaidi Electrical Northern Europe - Sales & Technical Development**

A: Alte Schmiedstrasse 3 31592 Stolzenau Germany

T: +49-(0)5761-908 5029

#### **Kaidi Electrical Eastern Europe - Sales**

A: ul. Rokitnianszykow 45 33-300 Nowy Saez Poland

T: +48-(0)18-4400 277

#### **Kaidi Electrical EU Stock Service**

A: Dradenauer Deichweg 3 21129 Hamburg

T: +49-(0)40-3099 77570

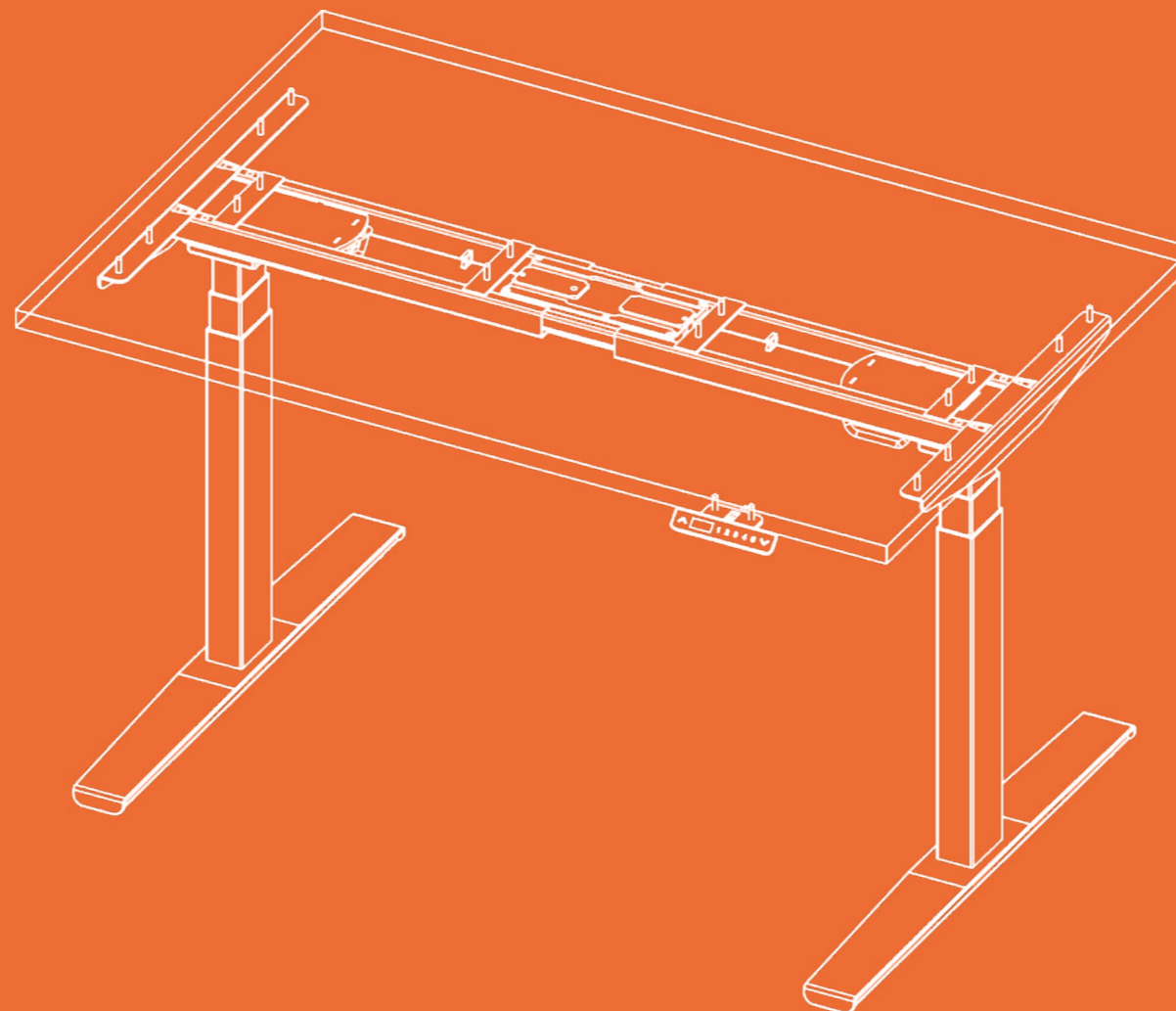
www.kaidielectrical.com

   (Kaidi Global)

Electric Height Adjustable Desk Solutions

# We Stand Behind our Product

2021 Product Book



 **KAIDI**  
Electrical

# A Glance of Kaidi

Since 1992

2600+

Total employees at Kaidi Group

260+

Technicians & Engineers

12+

Global Branches/Offices/Factories/  
Warehouses

25+

Countries within our sales  
network

50+

Esteemed Clients across Continents



... ..



## Europe

- Stolzenau (Germany)
- München (Germany)
- Gothenburg (Sweden)
- Vilnius (Lithuania)
- Nowy Sacz (Poland)

## Asia-Pacific

- Headquarter Changzhou (China)
- Guangzhou (China)
- Binh Duong (Vietnam)
- Bangalore (India)
- Tokyo (Japan)

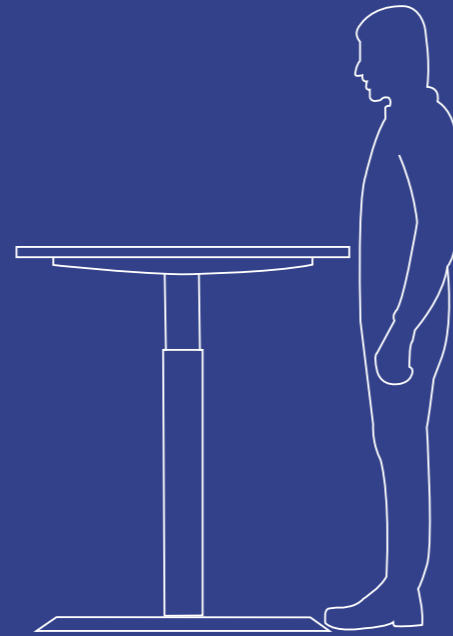
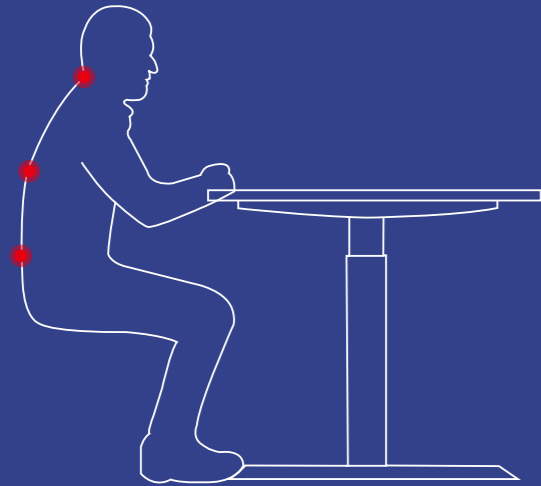
## North America

- Holland, Michigan (USA)
- Baldwin, Mississippi (USA)

## Sedentary Habits are Extremely Unhealthy

After 21 years of a follow-up study consisting of 128,000 people, ACS (American Cancer Society) found that sedentary habit increases the risk of death from **14** diseases. People who sit for more than 6 hours a day have a **19%** higher overall risk of premature death than those who sit less than 3 hours. <sup>①</sup>

Sedentary habits have long been listed as one of the top ten health killers in the world. According to the World Health Organization, more than **2** million people die every year due to sedentary and inactive lifestyles. <sup>②</sup>



Most of us spend more than 60% of our time sitting every day, with an average of more than 9 hours, and half of us are sitting continuously all day long!

From school to workplace, many of us spend a whole life sitting while few of us ever realize the risks behind it.

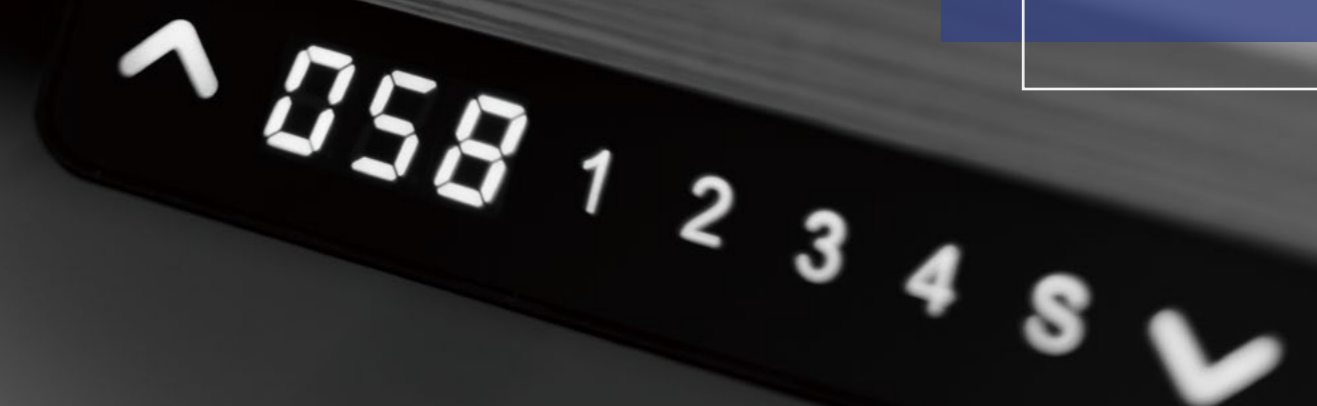
<sup>①</sup> The study was published in the American Journal of Epidemiology on June 29, 2018

<sup>②</sup> The results of this research was published in the World Health Report 2002.

If the modern workplace can be defined by a single concept, it is flexibility.

The nature of work across all industries is changing: the chained-to-a-desk job has given way to mobility, and workplace wellness has become a major trend as sitting diseases are getting prevalent. Now, more and more workers refuse to sit still, and 9 out of 10 millennials wish to work remotely.

Technology has enabled enterprise-level work to be done on myriad devices while electric height adjustable desks can help further prevent us from sitting diseases and thus get increasingly popular these years. Whether you prefer to sit or stand while working, this unique desk will take care of your health.



# Why Kaidi?

Kaidi, a solution provider of electric height adjustable desks, designs and manufactures various desk frames with a collection of components.

Almost every component and each fine detail can be customized at Kaidi. We aspire to develop opportunities for our clients to fully customize their height adjustable desks with intention, and elegance. Sleek and modern designs with which people could gracefully move from sit to stand position with the touch of a single button with Kaidi.

Kaidi has been investing massively into R&D and its manufacturing facilities. From steel sheets to finished desk frames, we have built almost a complete industry chain of such products so our clients are fully covered by better quality assurance and faster delivery.



# Content

Customization Possibilities P01

Frame Collections P05



Sole P07-10



Dual P11-14



Variable P15-18



Agile P19-22



Trio P23-26

Accessories and Kits P27



Lifting Column (Leg) P29-30



Foot P31-32



Handset P33-34



Control box P35-36



Cable Management System P37-38

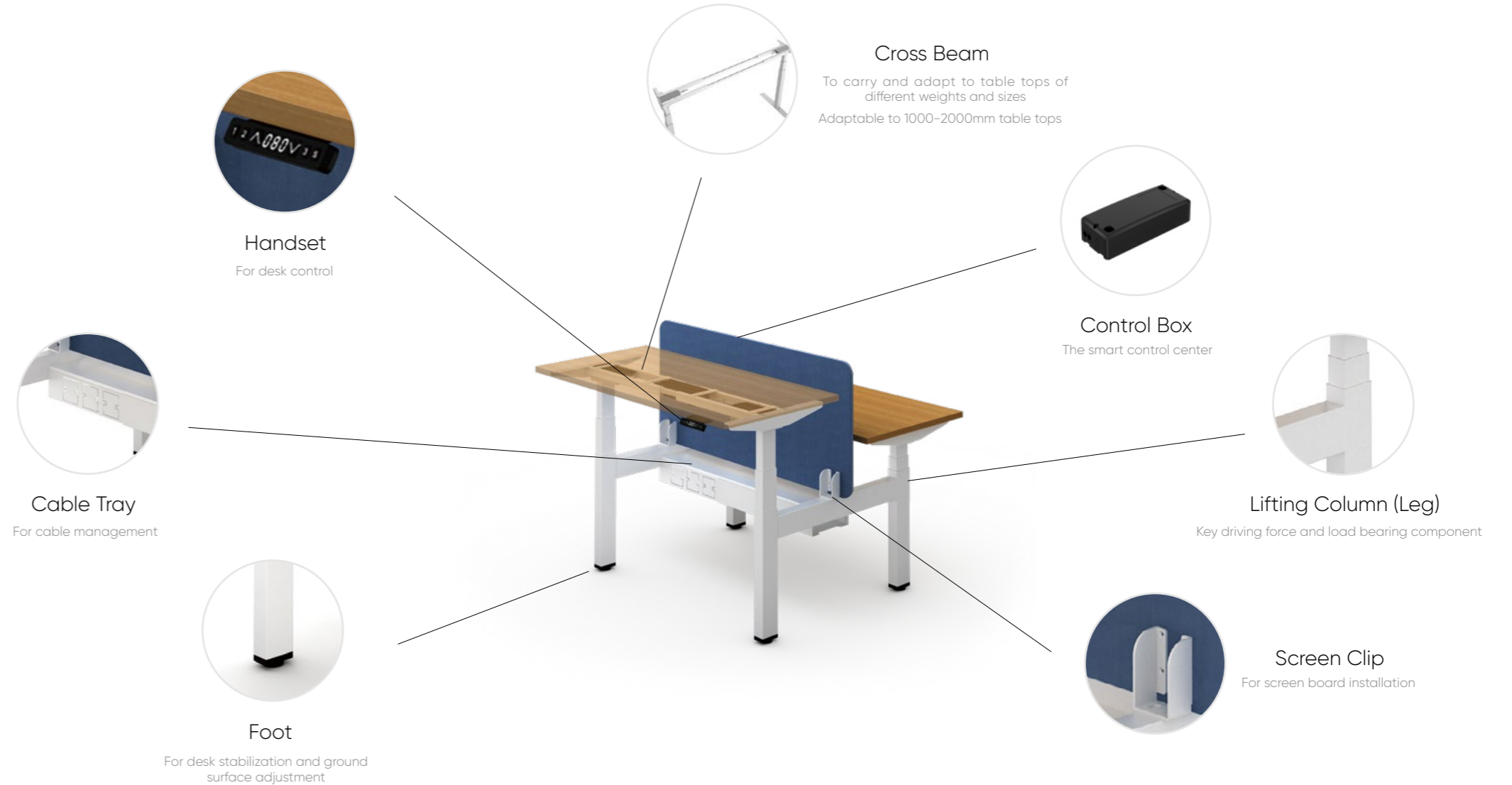
Certifications P39

# Customize Your Desk!

Optimal Flexibility for Your Imagination

You can fully customize the desks with different colors & functions, even your own App. The only thing you have to do is to design the dream desk according to your customers' needs. This is how we create our electric height adjustable desk solutions, as well as our unique value.

The fun of creating a unique desk is like playing with LEGO toys. With a variety of options we provide, you can deliver the perfect desks to your customers.

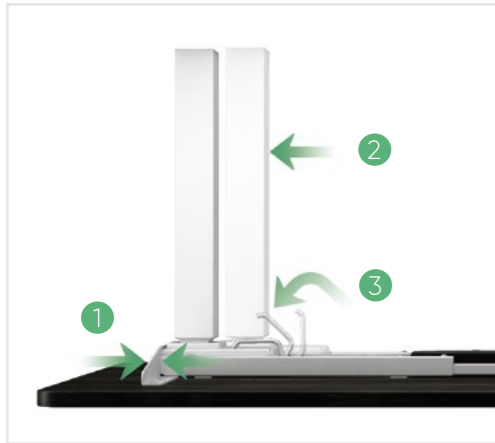


## Efficient and Intelligent

### Fast Installation Options

Kaidi provides desk frames with quick installation design which integrates exquisite, intuitive, concise and efficiency, making it easier to assemble an adjustable desk and allowing customers to experience the ultimate charm of industrial aesthetics design. It can save at least 50% of the installation time and reduce the labor cost for desk frame installation, comparing with traditional designs.

### 3-step Quick Installation (0 screw)



- 1 Simply clamp the side beam and cross beam together
- 2 Push the leg toward the side beam to secure them naturally
- 3 Exquisite and unique Plug & Lock design that perfectly tightens the legs to the frames

## Let Colors Inspire You

### Color Options

Other than the classic black/white/grey, you can customize almost any of your particular colors of the frame, legs and feet.

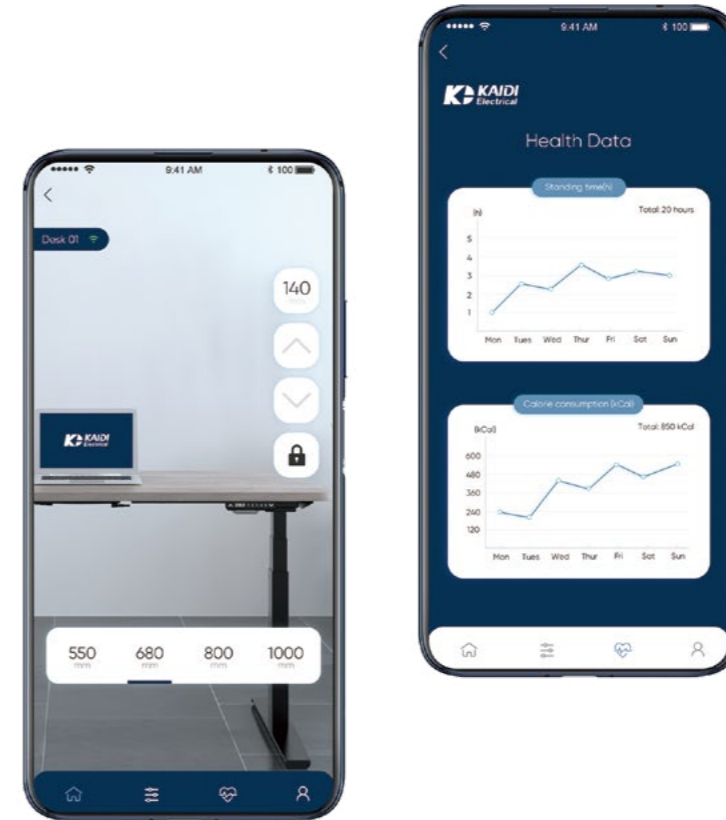


### Limitless Creativity



## Manage Your Desk & Health with Mobile Phone

### App Options



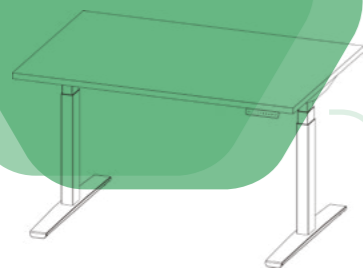
Kaidi is committed to bring comfort to life. With this App, you can control your desk and track your health data. You can now build your smart office easily with this ergonomic App that integrates multiple functions for space and health management.

The App, works with both Android and Apple IOS operating systems, and is user-friendly with ready for your customization.

### Basic Functions (Continuously Evolving)

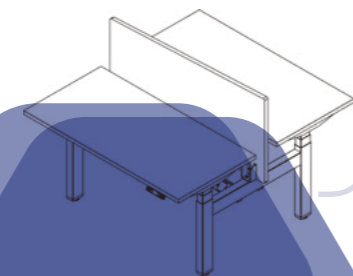
- Basic control
- 4 height presets
- Anti-collision sensitivity level
- Height range
- Health reminder and data

## Sole



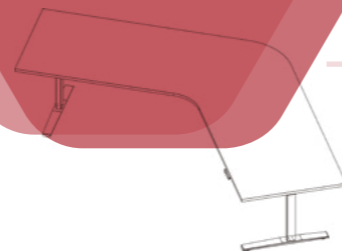
A classic desk frame designed for home and office. It is stable and flexible with adjustable heights. As the most popular model of its kind, it combines fresh design and excellent performance. It adopts the classic I-shaped steel frame structure which remains stable even when raised to its highest position. Pick your favorite table top and you are ready to go!

The integrated face to face design is even more stable with two sides independently adjustable. It is ideal for a neat office space with unified workstation layout. The mini feet enable larger space under the desk, and you can choose from various styles of screen boards to create some privacy as occasionally needed.



## Dual

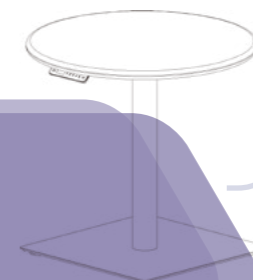
## Variable



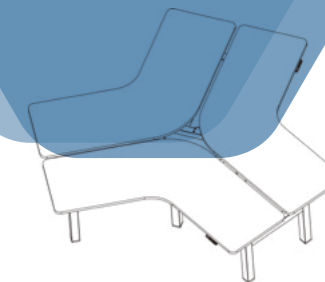
With larger table tops, ergonomic accessories, higher loads from three stable lifting columns, it is ideal for open spaces or independent office rooms and is tough enough to handle almost all complex tasks in the office.

A flexible yet powerful enough desk solution for various occasions such as a personal reading desk, a conference platform, a coffee table, etc. It is simple and convenient which you can control and move at will. It looks slim and small but its performance and stability will never let you down.

## Agile



## Trio



A perfect balance between interaction and privacy. This 120° Y-shaped three-cell workstation is an ideal choice for efficient teamwork. It makes communication much easier for three to work together while each one of them still has full control of his/her own desk. The screen boards help to split the space with privacy when occasionally needed.

# Sole



A classic desk frame designed for home and office. It is stable and flexible with adjustable heights. As the most popular model of its kind, it combines fresh design and excellent performance. It adopts the classic I-shaped steel frame structure which remains stable even when raised to its highest position. Pick your favorite table top and you are ready to go!



In today's digital world, sitting for hours has become part of our modern lifestyle.

The problem is that our bodies are not designed for sitting still. They are built for standing.





“

In order to save medical cost and time, and to improve productivity level, we provide the height adjustable desk solution to reorganize your work space. The benefits of ergonomic height adjustable desks have been known widely these years. We strongly recommend you to use the desk as the most economical way to keep you healthy.

”

In Europe and the United States, electric height adjustable tables are not only popular in offices, but also in thousands of households, especially for single seats like Sole. Imagine that you are working at the desk in your own study with a sore back all the time when there never seems a comfortable posture. With our solution, you can easily build a multi-functional workbench that meets any personal work and study purpose.



- Robust and stable structure
- The triple steel tubing ensures stability even at its peak height
- Exquisite surface finish

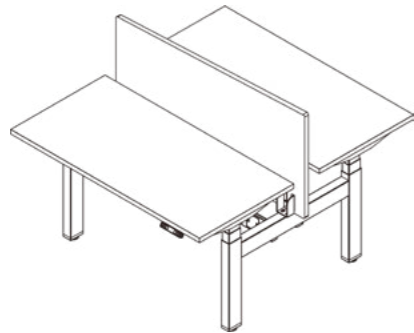


- Rectangular (50x80mm) lifting columns
- A combination of solid performance and elegant style



- The compact and fashionable KDH206 handset is embedded into the table top
- Simple and easy control with LED screen and vibration feedback

# Dual



The integrated face to face design is even more stable with two sides independently adjustable. It is ideal for a neat office space with unified workstation layout. The mini feet enable larger space under the desk, and you can choose from various styles of screen boards to create some privacy as occasionally needed.

An orderly office environment always makes people feel comfortable. The Dual face-to-face desks are particularly good at avoiding messes and utilizing space to the extreme.

Everything looks so well-clumped. Various accessories keep the table clean and refreshing. And don't forget that each one gets full independent control of his/her own table for the upmost health and well-being.





“ More and more collaborations are achieved through work groups across many organizations. Many employees are present only part-time in the physical office or in front of the fixed desks. In order to optimize the utilization rate of office facilities and adapt them to rapidly changing organizational forms, it is necessary to have office furniture that can meet those expectations. This is the particular value of Dual face-to-face desks. ”

”



- Advanced Type 064 all-in-one keypad handset controller
- 3 programmable heights of your favorite sit or stand positions

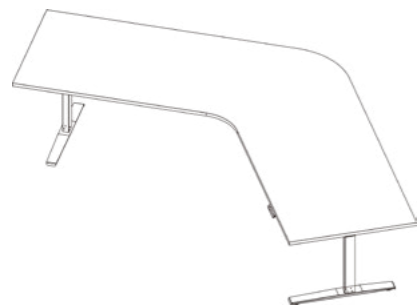


- The screen bracket matches almost any screen for the privacy of personal spaces in an open workplace
- It can be perfectly integrated and hidden in the gap between two tables



- Adjustable tray with powerful cable management capabilities
- Secret weapon against chaotic wires under the desk
- Compared with its powerful functions, it is one of the most economical and practical optional accessories

# Variable



With larger table tops, ergonomic accessories, higher loads from three stable lifting columns, it is ideal for open spaces or independent office rooms and is tough enough to handle almost all complex tasks in the office.



Spending 1-2 hours a day in the gym does not offset the damage caused by sitting. At some point, we need to make changes. Change begins with movement. Smart height adjustable desks provide users with the secrets of health and fitness. The advantages of long-term use of height adjustable desks are obvious.



“ With an inspiring 120° arc-shaped opening design, the Variable series can meet users' greatest expectations for an open, comfortable, decent and high-quality office desk. The extravagant desk top space is nearly 2 times larger than a typical Sole desk. The desk top is no longer messy or cramped, making space utilization and work efficiency full of surprises and possibilities. ”

**NOT JUST BIG.**  
 Three table legs bring three times the load capacity, that is, three times the security and ease. The perfect three-legged synchronous lifting stability and quietness will further enhance the user experience.



- The frame adopts a 120° arc desk top design, equipped with three legs that work synchronously and stably
- Born to match a wide table top for creating an open and comfortable work space
- It makes anyone feel free and refreshing working with this desk



- Type 170B all-in-one handset controller with LED digital display
- 4 programmable heights of your favorite sit or stand positions
- App wireless control supported



- Type KDF005 foot can flexibly adapt to any square, round or rectangular lifting column legs
- Foot size: 738\*80\*37.5mm. Stabilities ensured
- The adjustable anchor screws can perfectly adapt to the uneven ground to make sure the desk is not tilting



# Agile



A flexible yet powerful enough desk solution for various occasions such as a personal reading desk, a conference platform, a coffee table, etc. It is simple and convenient which you can control and move at will. It looks slim and small but its performance and stability will never let you down.



Standing only 5-10% a day will make you healthier, happier and more efficient. However, we do not stay in the office all the time nowadays. Will the flexibly-moving electric height adjustable tables become a trend? Quietly reading a book? Drinking a cup of coffee? Having a short standing discussion with colleagues? The Agile desks can fully release your creativity. We trust that this small table can shine almost everywhere!

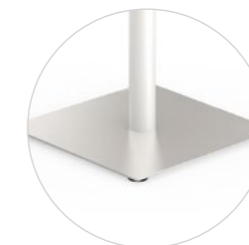
“

The intention of Agile series is for multi-scene adaptation and flexible movement. Take the podium as an example, it can be easily moved to adapt to different stage layouts; it can adapt to the heights and preferences of different speakers, and is completely controlled by the speaker his/herself. For many speakers at conferences and forums, this is an extremely cost-effective product type that can provide ultra-high comfort and satisfaction.

”



- Shape and size of the legs can be customized at will, stable and solid with excellent load-bearing performance
- A mini conference table, a podium or a coffee desk? It is a real all-rounder



- Solid and stable feet
- Multi-scene convenience and flexibility especially equipped with 4 wheels



- Exquisite and compact type KDH126 handset controller with easy operation
- The color of the controller can be customized to match different table tops

# Trio

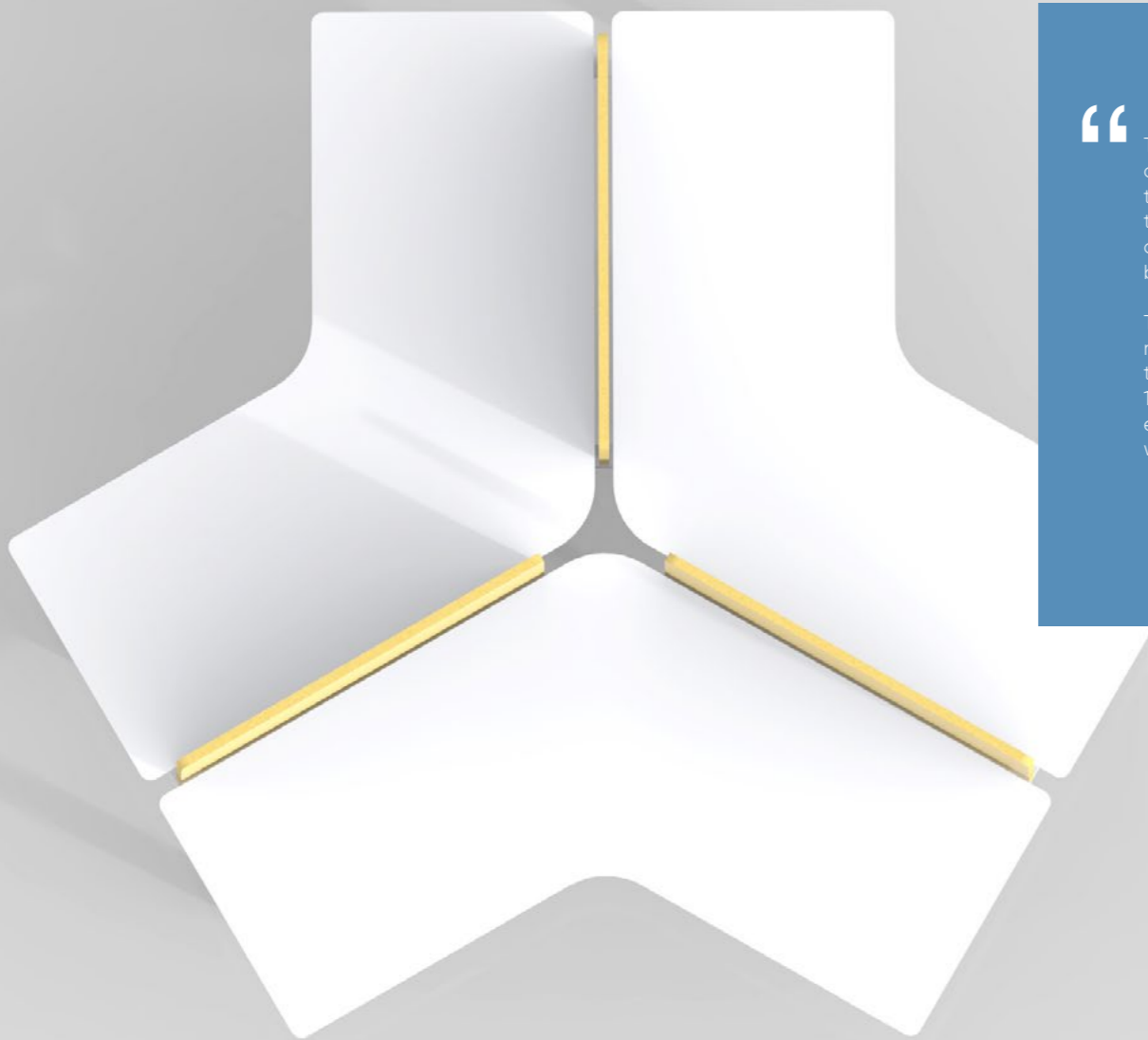


A perfect balance between interaction and privacy. This 120° Y-shaped three-cell workstation is an ideal choice for efficient teamwork. It makes communication much easier for three to work together while each one of them still has full control of his/her own desk. The screen boards help to split the space with privacy when occasionally needed.



Have you thought about it? The desk is not just a working area, it is almost a second home for many people. So, why not make the office space more comfortable? First, the table top must be large enough. Secondly, interactions with colleagues must be convenient enough. This is a fun workplace, and this is the particular charm of Trio solution.





“

The creatively divided interesting Trio desks bring a distinctive atmosphere to the office environment. Different from the conventional square independent desk, the Y-shaped three-person desk brings more possibilities for teamwork.

The whimsical ideas among team members become closer and active in this seemingly regular but innovative 120° division. Fast idea sharing and efficient work collaboration are all within reach.

”



- A connected composite beam in Y shape with extreme stability
- Each desk is supported by three lifting columns with independent control
- Stretched table top area for extreme comfort



- The type KDDY096 control box enables synchronous control of 3 lifting column legs
- With ultra-low standby power consumption, it provides overcurrent protection
- Anti-collision function supported for safety



- The type KDF010 foot has the minimalist design that makes a neat space under the table
- The anchor screws can perfectly adapt to the uneven ground
- It matches any square, round or rectangular lifting column legs easily



### Lifting Column (Leg)

We provide a variety of lifting column legs with different shapes, sizes and specifications. The legs are made of cold-rolled carbon steel of automobile industry standard with excellent load-bearing capacity, ensuring the durability and stability of the overall desk frame to the greatest extent.



### Foot

As the foundation of the desk, our engineers carefully design the feet based on ergonomics and mechanics considerations. In order to ensure the overall load-bearing capacity and stability of the whole structure, size and weight ratio of the foot, frame and legs are strictly measured so that shaking risk is eliminated.



### Handset

In addition to the basic control functions, our engineers strive to make the handset small and compact, at the same time integrated with a variety of additional user-friendly functions, such as height display, programmable height presets, Bluetooth connection, etc., to help you continuously improve the user experience.



### Control Box

Control box is the central nervous system of the entire table, which integrates all instruction codes. We are constantly optimizing the design of the control box. The 4 current types have extremely low standby energy consumption. At the same time, the weight and size are both reduced for easier and durable installation.



### Cable Management System

The cleanliness of the office is no longer limited to the table top area, it must also be tidy under the table. We have designed a variety of cable trays and related cable management accessories that can help you avoid chaos with various cables of power, network, data, etc. It is an efficient and cost-effective cable management solution.

# Lifting Column (Leg)



Carbon Steel



Rock Steady



Low Noise



Fast Lifting  
Up to 80mm/s



**KDZT003A**

Installation Height	650 mm
Stroke	440 mm
Speed	36 mm/s
Outer Dimension	70 mm
Lift capacity	800 N
Features	Single Stage/Round/ Fast Installation Supported



**KDZT005E**

Lowest height	580 mm
Stroke	650 mm
Speed	36 mm / s
Outer size	φ 70 mm
Lift capacity	800 N
Features	Dual Stage/Round Tube/ Fast Installation



**KDZT017B-2**

Lowest height	650/662 mm
Stroke	440/500 mm
Speed	36 mm/s
Outer size	95*60 mm
Lift capacity	800 N
Features	Single Stage/Rectangular Tube/Fast Installation



**KDZT026**

Lowest height	662 mm
Stroke	500 mm
Speed	36 mm/s
Outer size	80*50 mm
Lift capacity	800 N
Features	Single Stage/Rectangular Tube/Fast Installation



**KDZT020**

Lowest height	580/536 mm
Stroke	650/663 mm
Speed	36 mm/s
Outer size	95*60 mm
Lift capacity	800 N
Features	Dual Stage/Rectangular Tube/Fast Installation



**KDZT024A**

Lowest height	580/536 mm
Stroke	650/663 mm
Speed	36 mm/s
Outer size	80*50 mm
Lift capacity	800 N
Features	Dual Stage/Rectangular Tube/Fast Installation



**KDZT035A**

Lowest height	650/662 mm
Stroke	440/500 mm
Speed	36 mm/s
Outer size	69*69 mm
Lift capacity	800 N
Features	Single Stage/Square Tube/Fast Installation



**KDZT041A**

Lowest height	580/536 mm
Stroke	650/663 mm
Speed	36 mm/s
Outer size	69*69 mm
Lift capacity	800 N
Features	Dual Stage/Square Tube/Fast Installation



# Foot



Rock Steady



Exquisite Details



Tilt Prevention



Various Styles



KDF004

Length 738 mm  
Width 82.4 mm  
Height 33 mm  
Feature Fully integrated look with rectangle legs



KDF005

Length 178 mm/610 mm/762 mm  
Width 80 mm  
Height 37.5 mm  
Features Match with any round, square and rectangular legs



KDF006C

Length 178 mm/609 mm/762 mm  
Width 80 mm  
Height 29.5 mm  
Features 3.5mm thickness | match with any round, square and rectangular legs



KDF006D

Length 178 mm/610 mm/762 mm  
Width 92 mm  
Height 29.5 mm  
Features 3.5mm thickness | match with any round, square and rectangular legs



KDF027

Length 732 mm  
Width 70 mm  
Height 34.7 mm  
Features Cost-effective | for any round, square and rectangular columns



KDF019

Length 500 mm  
Width 500 mm  
Height 18.5 mm  
Features For single column only | match with any round, square and rectangular legs



KDF007

Length 69 mm  
Width 69 mm  
Height 25 mm  
Features For single column only | match with any round, square and rectangular legs



KDF009

Length 95 mm  
Width 60 mm  
Height 25 mm  
Features Aluminium material | match with rectangular legs



KDF010

Length 46 mm  
Width 46 mm  
Height 16.5 mm  
Features Match with any round, square and rectangular legs



KDF012

Diameter  $\phi$  70 mm  
Height 25 mm  
Features Aluminium material | match with round legs



# Handset



Simple & Stylish



Humanized Design



Smart Control



Customizable



KDH064C

- Single touch height adjustment
- Three programmable heights
- Color customizable
- Fault prompt indicator
- Recommended for Sole Dual Variable Trio



KDH170

- Touch control with vibration
- Four programmable heights
- Sedentary reminder
- Single touch height adjustment
- Recommended for Sole Dual Variable Trio
- LED screen with backlight
- Fault prompt indicator
- Bluetooth (optional)



KDH196

- Piano key style
- Four programmable heights
- Single touch height adjustment
- Fault prompt indicator
- LED screen with backlight
- Recommended for Sole Dual Variable Trio



KDBH03

- Minimalist design with no extra buttons
- "Lift and press" easy operation
- Customized color options
- Recommended for Agile Sole

KDBH02

- Comfortable touch
- Wireless remote control



KDH126

- Simple design with only up and down buttons
- Customized color options
- Recommended for Agile



KDH198

- Simple design with only up and down buttons
- Customized color options
- Recommended for Agile



KDH202

- Simple design with only up and down buttons
- Table top embedded
- Customized color options
- Recommended for Agile Sole



KDH206

- Touch control with vibration
- Table top embedded
- Customized color options
- Recommended for Agile Sole

Above handsets are compatible with all Kaidi desk frames.

# Control Box



Control Center



Ultra Low Energy Consumption



Over-current Protection

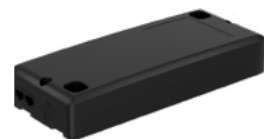


Anti-collision Protection



KDDY094

- Input: 100-240VAC, 400W
- Low standby power consumption
- Over-current protection and anti-collision function
- **2** lifting column legs supported
- Designed for Sole Dual



KDDY096

- Input: 230VAC, 300W
- Low standby power consumption ( $\leq 0.1W$ )
- Over-current protection and anti-collision function
- **2** legs supported
- Designed for Sole Dual



KDDY099

- Input: 100-240VAC, 450W
- Low standby power consumption ( $\leq 0.3W$ )
- Over-current protection and anti-collision function
- **3** legs supported
- Designed for Variable Trio



KDDY104

- Input 29VDC, 240W (Lithium battery pack available)
- Low standby power consumption ( $\leq 0.1W$ )
- 3 months+ battery life with the battery pack
- Over-current protection and anti-collision function
- **1-2** legs supported
- Designed for Agile Sole



KDDY106

- Input: 100-240VAC, 500W
- Low standby power consumption ( $\leq 0.5W$ )
- Over-current protection and anti-collision function
- **4** legs supported



KDBC02

WiFi Adapter

- Multi-desk management
- Remote desk appointment
- Remote software update
- User data analysis

# Cable Management System



Powerful Functions



Easy Installation



Efficient



Cost-effective



KDXC004

Length 1430 mm  
 Width 150 mm  
 Height 74.64 mm  
 Designed for **Sole** **Dual**



KDXC004-1

Length 1000 mm  
 Width 148 mm  
 Height 100 mm  
 Designed for **Sole**



KDXC005

Length 1130/1309 mm  
 Width 200 mm  
 Height 100.2 mm  
 Space between two screw holes 166 mm  
 Features two trays on both sides  
 Designed for **Dual**



KDXC005-5

Length 943-1393 mm  
 Width 206 mm  
 Height 112.2 mm  
 Space between two screw holes 166 mm  
 Features Retractable cable tray  
 Designed for **Dual** **Variable** **Trio**



KDXC008

Length 1008/1208/1408/1608/1808 mm  
 Width 204 mm  
 Height 108.5 mm  
 Space between two screw holes 166 mm  
 Features Multiple size options  
 Designed for **Dual** **Variable** **Trio**



KDXC012

Length 850-1450 mm  
 Width 153 mm  
 Height 116 mm  
 Space between two screw holes 90 mm  
 Features Retractable cable tray | with dedicated screen bracket  
 Designed for **Dual**



KDXC013-2

Length 852-1460 mm  
 Width 215 mm  
 Height 105 mm  
 Space between two screw holes 166 mm  
 Features Retractable cable tray  
 Designed for **Dual** **Variable** **Trio**



KDXC017

Length 852-1460 mm  
 Width 230 mm  
 Height 96.5 mm  
 Space between two screw holes 176 mm  
 Features Retractable cable tray  
 Designed for **Dual** **Variable** **Trio**



Cable Management

Length 1080 mm  
 Width of each section 47 mm  
 Height of each section 24 mm  
 Designed for **Sole** **Dual** **Variable** **Trio**





## Certifications

---

Kaidi is certified for ISO9001:2015, ISO14001:2015, OHSAS18001:2007...  
Kaidi products are certified by CE, UL/CUL, ROHS, PSE, FCC, BIFMA...

