

VARIABLE BASE

RELIABLE IN THE OFFICE / COMFORTABLE AT HOME





STANDARD CONFIGURATION

(SEE COVER IMAGE)

LEG CONFIG.

(OPTIONS AVAILABLE PG. 2)

TYPE	DUAL STAGE
QTY	3-LEG
PROFILE	SQUARE

FOOT CONFIG.

(OPTIONS AVAILABLE PG. 2)

TYPE	SLIM
MOUNTING POSITION	OFFSET ("C" TYPE)
LENGTH	736 mm 29.0 in

FRAME DIMENSIONS

FRAME SIZE

WIDTH, W_F	PG. 3
DEPTH, D_F	PG. 3

REC. DESK SIZE

WIDTH, W_R	PG. 4
DEPTH, D_R	PG. 4

HEIGHT RANGE

(*HEIGHT REFLECTS 1" TOP AND FOOT, OPTIONS AVAILABLE PG. 2)

HEIGHT, H'	577 mm ↔ 1240 mm	22.7 in ↔ 48.8 in
STROKE, S	663 mm	26.1 in
BIFMA X5.5-2021 COMPLIANT	YES	
BIFMA G1 COMPLIANT	YES	

HANDSET

(OPTIONS AVAILABLE PG. 2)

3 MEM. POS. (SILICON BUTTONS)

FINISH

FRAME FINISH

SILVER 

OPERATION

SPEED	36.0 mm/s	1.42 in/s
MAX LIFT CAPACITY	158.8 kg	350 lbs
RATED LOAD	149.7 kg	330 lbs
NOISE	48 - 55 dB	

SHIPPING

(OPTIONS AVAILABLE PG. 2)

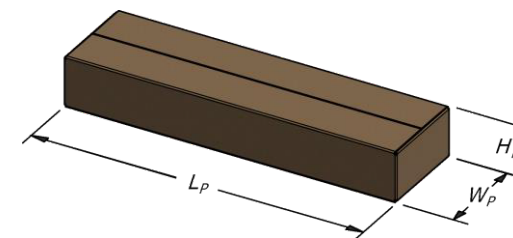
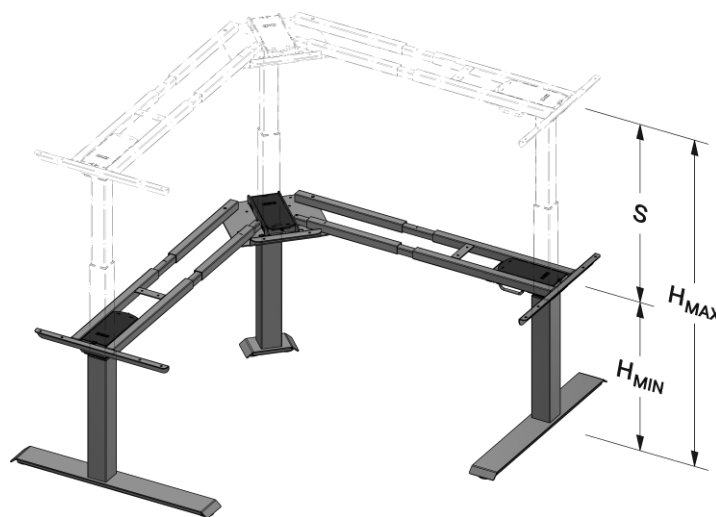
PACKAGE PARAMETERS ($L_P \times W_P \times H_P$ - wt.)

COLUMNS & ELECTRONICS		
BOX 1/2	750 mm X 415 mm X 130 mm [29.5 in X 16.3 in X 5.1 in]	24.5 kg 54 lbs
FRAME & OUTSIDE FEET		
BOX 2/2	1120 mm X 540 mm X 140 mm [44.1 in X 21.3 in X 5.5 in]	24.5 kg 54 lbs

KEY FEATURES

VARIABLE BASE - Further improvements on the market's **EASIEST** and **FASTEST** base to assemble!

- > 1 frame for a wide variety of applications
 - + Frame can be configured for 90°, 120°, and 180° angles
- > 3 legs offer unparalleled stability
- > Streamlined design
 - + Simplification of the frame makes for an attractive aesthetic
- > Optimized installation lever
 - + Mechanism complexity reduced, saving on production costs



OPTIONS

▶ STANDARD OPTION

HEIGHT RANGE

(*HEIGHTS BELOW ARE COLUMN ONLY)

PROFILE

- ▶ SQUARE
- RECTANGULAR
- ROUND

LEG TYPE

SINGLE STAGE

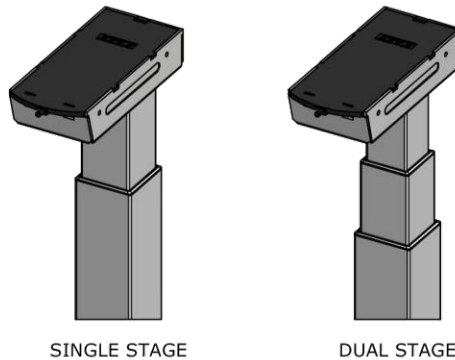
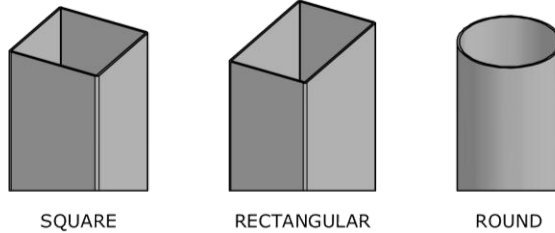
<input type="checkbox"/>	STROKE, S	440 mm	17.3 in
	HEIGHT, H_L	650 mm ↔ 1090 mm	25.6 in ↔ 42.9 in
	BIFMA X5.5-2021 COMPLIANT	YES	
	BIFMA G1 COMPLIANT	NO	

<input type="checkbox"/>	STROKE, S	500 mm	19.7 in
	HEIGHT, H_L	662 mm ↔ 1162 mm	26.1 in ↔ 45.7 in
	BIFMA X5.5-2021 COMPLIANT	YES	
	BIFMA G1 COMPLIANT	NO	

DUAL STAGE

▶ <input type="checkbox"/>	STROKE, S	663 mm	26.1 in
	HEIGHT, H_L	536 mm ↔ 1199 mm	21.1 in ↔ 47.2 in
	BIFMA X5.5-2021 COMPLIANT	YES	
	BIFMA G1 COMPLIANT	YES	

<input type="checkbox"/>	STROKE, S	650 mm	25.6 in
	HEIGHT, H_L	580 mm ↔ 1230 mm	22.8 in ↔ 48.4 in
	BIFMA X5.5-2021 COMPLIANT	YES	
	BIFMA G1 COMPLIANT	NO	



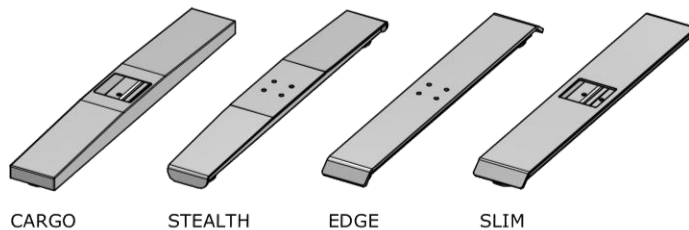
FOOT CONFIG.

FOOT STYLE (HEIGHT, H_T)

▶ <input type="checkbox"/>	SLIM	14 mm	0.5 in
<input type="checkbox"/>	STEALTH	38 mm	1.5 in
<input type="checkbox"/>	EDGE	32 mm	1.3 in
<input type="checkbox"/>	CARGO	14 mm	0.5 in

FOOT LENGTH (LENGTH, L_T / MOUNTING, M_T)

<input type="checkbox"/>	24 "C"	584 mm / 343 mm	23.0 in / 13.5 in
▶ <input type="checkbox"/>	30 "C"	736 mm / 419 mm	29.0 in / 16.5 in
<input type="checkbox"/>	24 "T"	584 mm / 292 mm	23.0 in / 11.5 in
<input type="checkbox"/>	30 "T"	736 mm / 368 mm	29.0 in / 16.5 in



HANDSETS

PROFILE

- ▶ SIMPLE UP/DOWN
- PADDLE
- DIGITAL
- BLUETOOTH
- 3 MEM. POS.
- 4 MEM. POS.
- WIRELESS

FINISH

FRAME

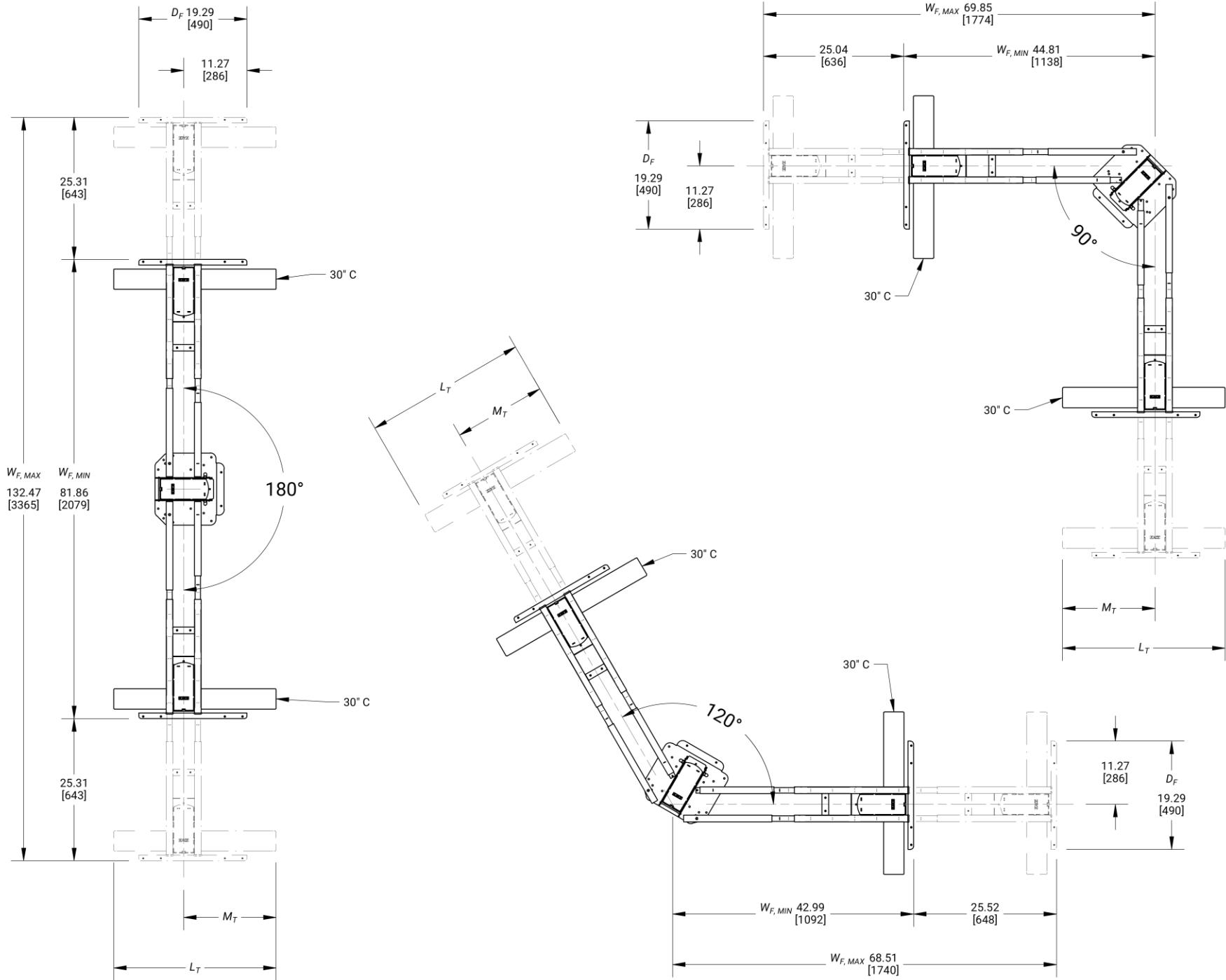
- ▶ SILVER
- BLACK
- WHITE
- CUSTOM

SHIPPING

PACKAGE PARAMETERS ($L_P \times W_P \times H_P$ - wt.)

▶ <input type="checkbox"/>	COLUMNS & ELECTRONICS		
	BOX 1/2	750 mm X 415 mm X 130 mm [29.5 in X 16.3 in X 5.1 in]	24.5 kg 54 lbs
▶ <input type="checkbox"/>	FRAME & OUTSIDE FEET		
	BOX 2/2	1120 mm X 540 mm X 140 mm [44.1 in X 21.3 in X 5.5 in]	24.5 kg 54 lbs
▶ <input type="checkbox"/>	OUTER COLUMNS & ELECTRONICS		
	BOX 1/3	813 mm X 254 mm X 127 mm [32.0 in X 10.0 in X 5.0 in]	15.4 kg [34 lbs]
	FRAME & CENTER COLUMN AND FOOT		
▶ <input type="checkbox"/>	BOX 2/3	1118 mm X 533 mm X 127 mm [44.0 in X 21.0 in X 5.0 in]	19.1 kg [42 lbs]
	OUTER FEET		
▶ <input type="checkbox"/>	BOX 3/3	686 mm X 254 mm X 127 mm [27.0 in X 10.0 in X 5.0 in]	16.3 kg [36 lbs]

FRAME CONFIGURATIONS



WORK SURFACE SIZE RECOMMENDATIONS

