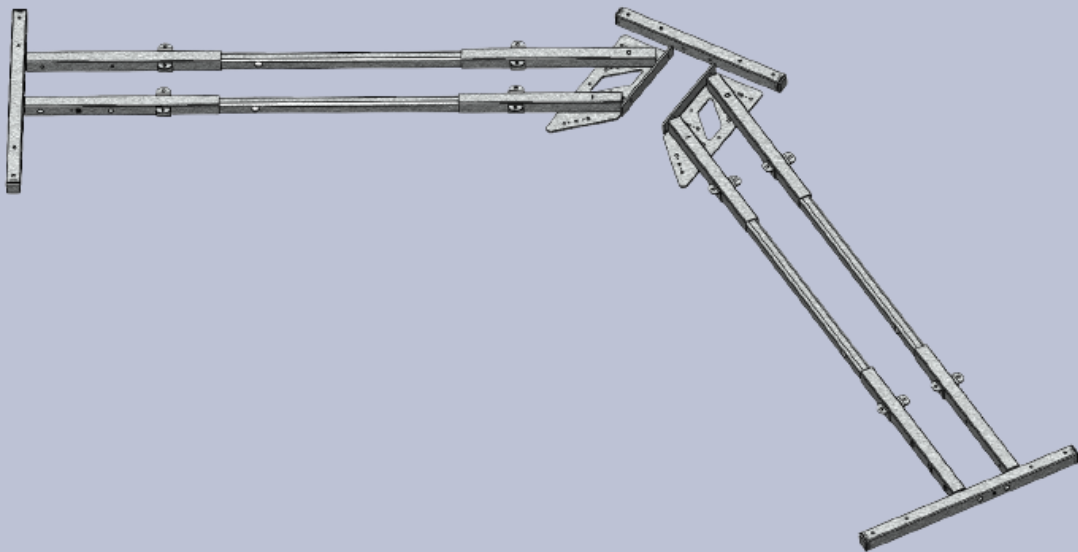


Specification Sheet

FRAME – KDTJ014-7



CATEGORY:

FRAME

COLUMN

FOOT

CONTROL BOX

HANDSET

DESCRIPTION

3-LEG ADJUSTABLE FRAME

PART NUMBER

KDTJ014-7

FEATURES

- ADJUSTABLE LENGTH
- ADJUSTABLE ANGLE
- SQUARE TUBE PROFILE
- INCLUDES 'U' BRACKETS FOR MOUNTING

OPTIONS

- 90°, 120°, 135° OR 180°

SPECIFICATIONS	METRIC	ENGLISH
LENGTH (90°)	1171-1612MM	46.1-63.5IN
LENGTH (120°)	993-1485MM	39.1-58.5IN
LENGTH (135°)	962-1457MM	37.9-57.4IN
LENGTH (180°)	923-1354MM	36.3-53.3IN
WIDTH	500MM	19.7IN
WEIGHT	16.4 KG	36.1 LBS
CONFIGURATION	OFF CENTER, 3-LEG	
ASSEMBLY	CONVENTIONAL	

DIMENSIONS

