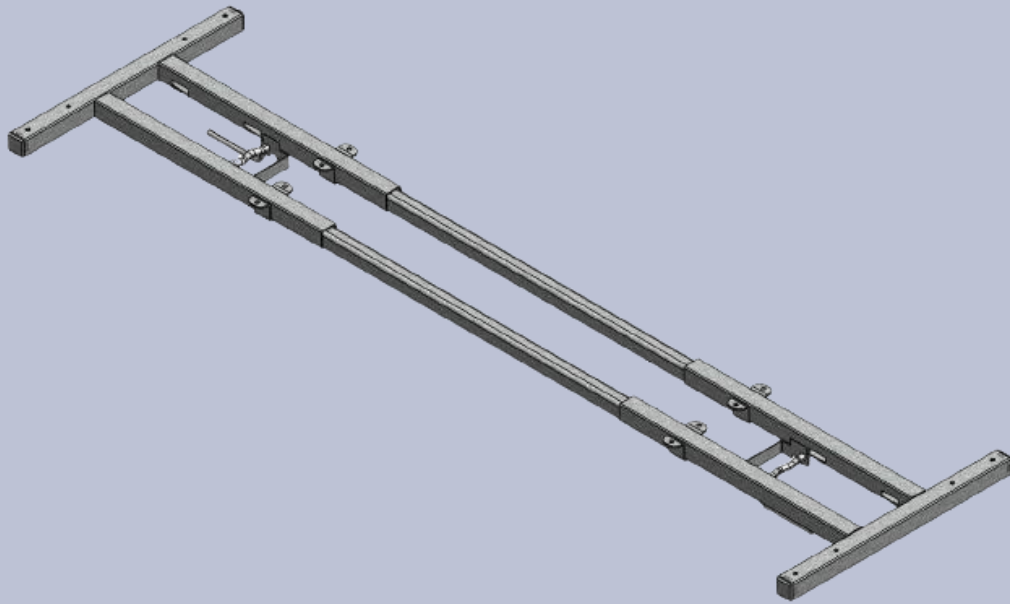


Specification Sheet

FRAME – KDTJ011-9



CATEGORY:

FRAME

COLUMN

FOOT

CONTROL BOX

HANDSET

DESCRIPTION

2-LEG ADJUSTABLE LENGTH FRAME

PART NUMBER

KDTJ011-9

FEATURES

- ADJUSTABLE LENGTH (38-65IN. RANGE)
- QUICK-INSTALL
- SQUARE TUBE PROFILE
- INCLUDES 'U' BRACKETS FOR MOUNTING

SPECIFICATIONS	METRIC	ENGLISH
ADJUSTABLE LENGTH	960-1660MM	37.8-65.4IN
WIDTH	440MM	17.3IN
RECOMMENDED TOP SIZE	960-1762MM	37.8-69.4IN
WEIGHT	9 KG	19.8 LBS
CONFIGURATION	CENTERED	
ASSEMBLY	QUICK-INSTALL	

DIMENSIONS

