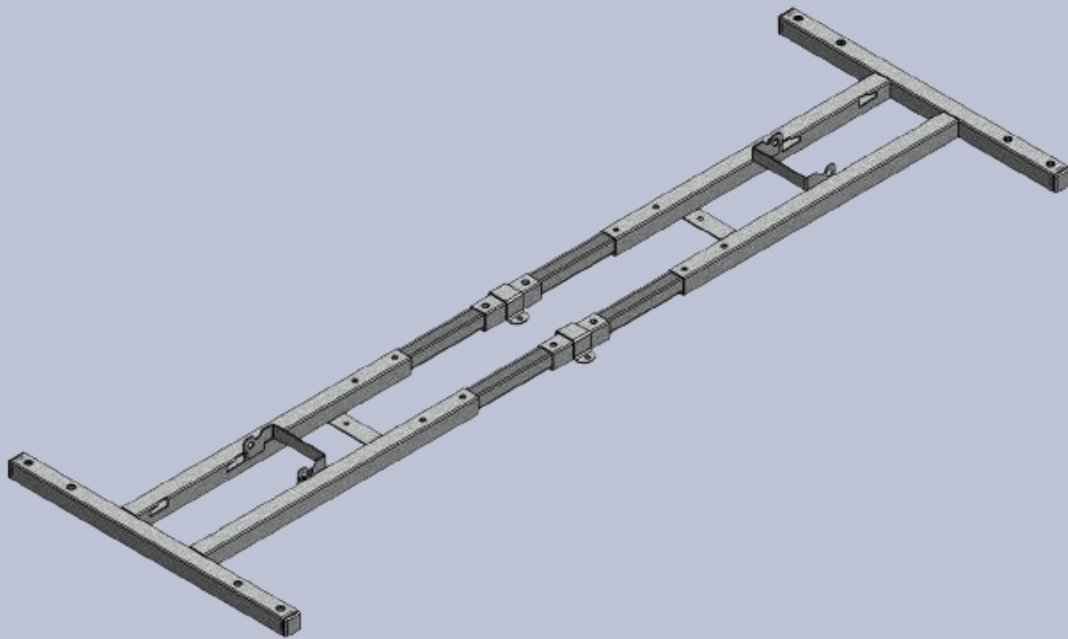


# Specification Sheet

FRAME – KDTJ011-10



CATEGORY:

FRAME

COLUMN

FOOT

CONTROL BOX

HANDSET

**DESCRIPTION**

2-LEG ADJUSTABLE LENGTH FRAME

**PART NUMBER**

**KDTJ011-10**

**FEATURES**

- ADJUSTABLE LENGTH (43-75IN RANGE)
- QUICK-INSTALL
- SQUARE TUBE PROFILE
- INCLUDES 'U' BRACKETS FOR MOUNTING

SPECIFICATIONS	METRIC	ENGLISH
LENGTH	1089-1915MM	42.9-75.4IN
WIDTH	523MM	20.6IN
RECOMMENDED TOP SIZE	1089-2017MM	42.9-79.4IN
WEIGHT	8.8 KG	19.3 LBS
CONFIGURATION	CENTERED	
ASSEMBLY	QUICK-INSTALL	

**DIMENSIONS**

