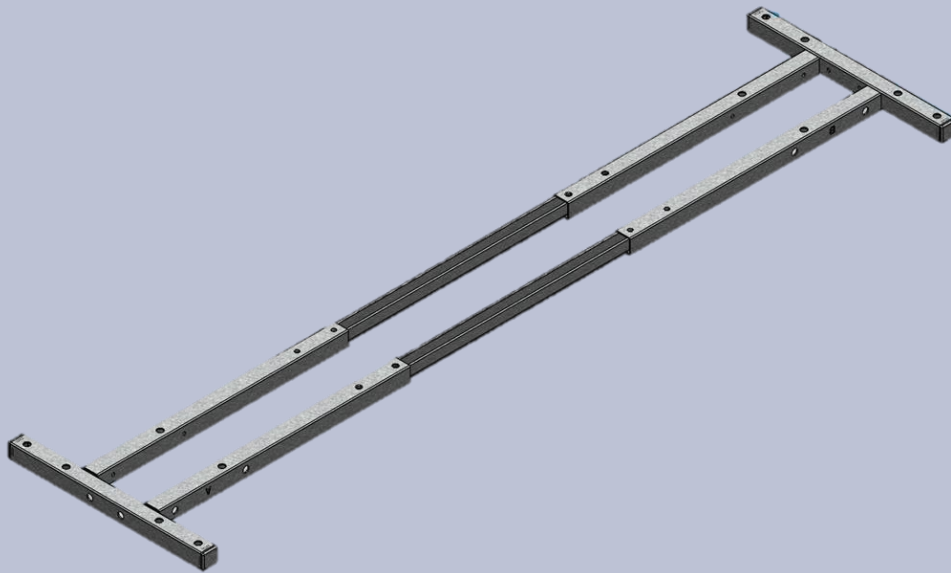


Specification Sheet

FRAME – KDTJ002



CATEGORY:

FRAME

COLUMN

FOOT

CONTROL BOX

HANDSET

DESCRIPTION

2-LEG ADJUSTABLE LENGTH FRAME

PART NUMBER**KDTJ002****FEATURES**

- ADJUSTABLE LENGTH (43-61IN. RANGE)
- SQUARE TUBE PROFILE

OPTIONS

- SIDEBEAM (WIDTH) OPTION

SPECIFICATIONS

METRIC

ENGLISH

SPECIFICATIONS	METRIC	ENGLISH
ADJUSTABLE LENGTH	1091-1541MM	43-61IN
WIDTH	400 OR 523MM	15.7 OR 20.6IN
RECOMMENDED TOP SIZE	1091-1643MM	43-65IN
WEIGHT	7.6 KG	16.7 LBS
CONFIGURATION	CENTERED	
ASSEMBLY	CONVENTIONAL	

DIMENSIONS

